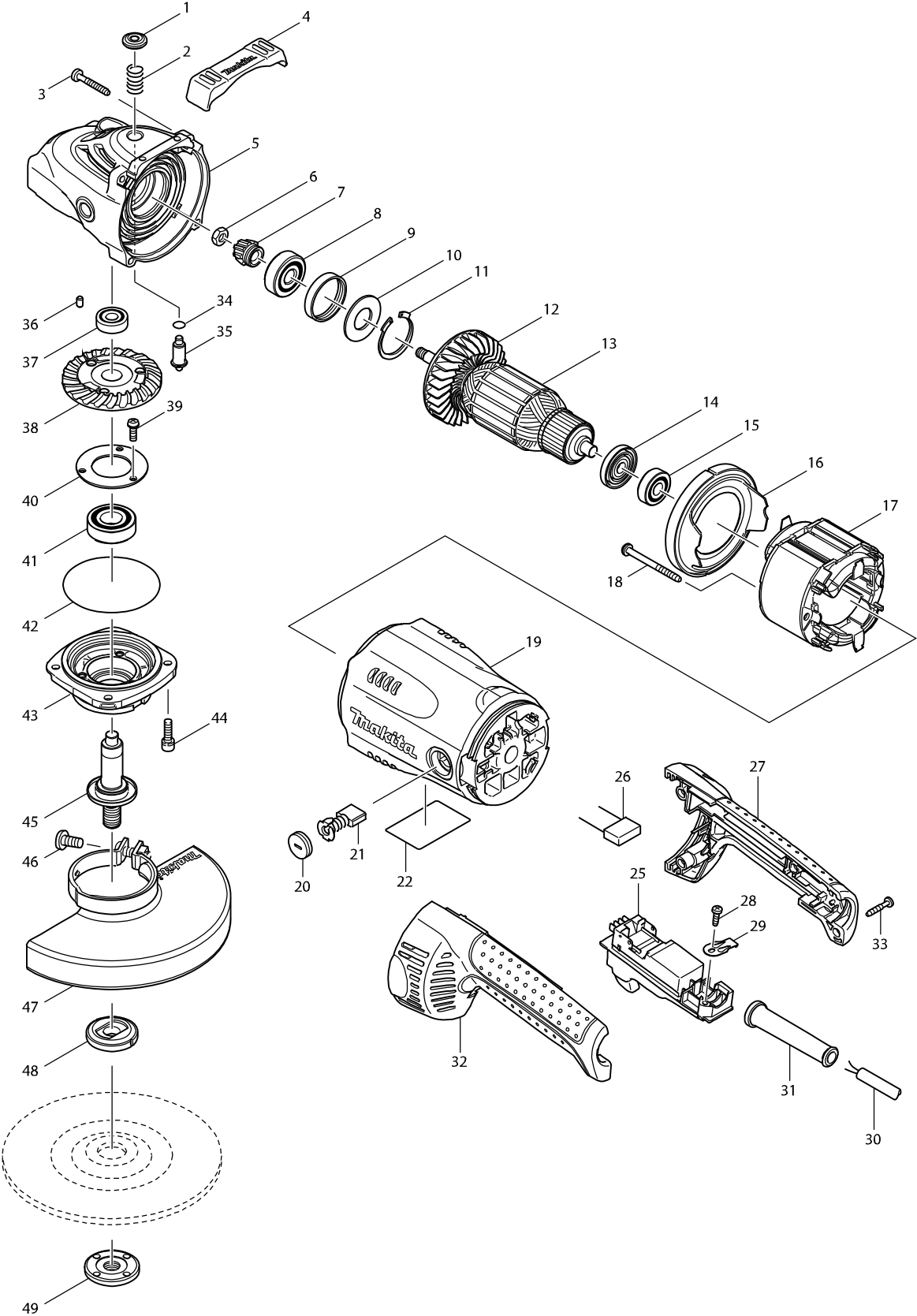


# Modelo GA7020 ESMERILADORA ANGULAR



| Pieza  | Código   | Descripción                        | Info | CTD. | N/O | Opc. 1 | Opc. 2 | OBS. |
|--------|----------|------------------------------------|------|------|-----|--------|--------|------|
| 001    | 419133-4 | PERNO OBTURADOR P/3709             |      | 1    |     |        |        |      |
| 002    | 233292-8 | RESORTE DE COMPRESION 12 P/9069    |      | 1    |     |        |        |      |
| 003A   | 266373-3 | TORNILLO 5X35 P/GA7021             |      | 4    | *   |        |        |      |
| 003-1A | 266012-5 | TORNILLO 5X35 P/9067L, 9067, 9069  | O    | 4    |     |        |        |      |
| 003-1B | 266012-5 | TORNILLO 5X35 P/9067L, 9067, 9069  |      | 4    |     |        |        |      |
| 004    | 419144-9 | DEFENSA P/GA7021                   |      | 1    |     |        |        |      |
| 005A   | 154685-5 | CAJA DE ENGRANE P/GA7021           |      | 1    | *   |        |        |      |
| C10    | 262118-7 | ANILLO DE FIELTRO P/ GA7030        |      | 1    | *   |        |        |      |
| 005-1A | 154685-5 | CAJA DE ENGRANE P/GA7021           | O    | 1    | *   |        |        |      |
| C10    | 262118-7 | ANILLO DE FIELTRO P/ GA7030        |      | 1    | *   |        |        |      |
| C20    | 419134-2 | LABYRINTH PLATE                    |      | 1    | *   |        |        |      |
| 005-2A | 154685-5 | CAJA DE ENGRANE P/GA7021           | O    | 1    | *   |        |        |      |
| C10    | 262118-7 | ANILLO DE FIELTRO P/ GA7030        |      | 1    | *   |        |        |      |
| 005-3A | 142754-4 | GEAR HOUSING COMPLETE              | <    | 1    |     |        |        |      |
| C10    | 262118-7 | ANILLO DE FIELTRO P/ GA7030        |      | 1    |     |        |        |      |
| 005-3B | 142754-4 | GEAR HOUSING COMPLETE              |      | 1    |     |        |        |      |
| C10    | 262118-7 | ANILLO DE FIELTRO P/ GA7030        |      | 1    |     |        |        |      |
| 006    | 252194-9 | TUERCA HEX. M8 P/GA7021            |      | 1    |     |        |        |      |
| 007    | 227488-1 | ENGRANE PIDON P/MGA700             |      | 1    |     |        |        |      |
| 008    | 211132-0 | BALERO P/9069, 9067L, 9067, 6301DW |      | 1    |     |        |        |      |
| 009    | 262085-6 | EMPAQUE DE GOMA 38 P/9079          |      | 1    |     |        |        |      |
| 010    | 267299-2 | ARANDELA PLANA PGA7021             |      | 1    |     |        |        |      |
| 011    | 962211-4 | EMPAQUE DE RETEN R-42 P/HR3000C    |      | 1    |     |        |        |      |
| 012    | 240081-4 | VENTILADOR P/GA7021, GA9020        |      | 1    |     |        |        |      |
| 013A   | 516941-5 | ARMADURA ASS'Y 115V P/GA7021 DE    |      | 1    | *   |        |        |      |
| D10    |          | INC. 12,14,15                      |      |      | *   |        |        |      |
| 013-1A | 510087-9 | ARMATURE ASS'Y 115V                | O    | 1    | *   |        |        |      |
| D10    |          | INC. 12,14,15                      |      |      | *   |        |        |      |
| 013-1B | 517793-7 | ARMATURE ASS'Y 220V                |      | 1    |     |        |        |      |
| D10    |          | INC. 12,14,15                      |      |      |     |        |        |      |
| 013-2A | 516941-5 | ARMADURA ASS'Y 115V P/GA7021 DE    | O    | 1    | *   |        |        |      |
| D10    |          | INC. 12,14,15                      |      |      | *   |        |        |      |
| 013-3A | 517791-1 | ARMADURA ASS'Y 115V P/GA7021 AM    | <    | 1    |     |        |        |      |
| D10    |          | INC. 12,14,15                      |      |      |     |        |        |      |
| 014    | 681630-2 | RONDANA DE AISLAMIENTO P/9027L,    |      | 1    |     |        |        |      |
| 015A   | 210075-3 | BALERO 6200DDW P/ GA9040S          |      | 1    | *   |        |        |      |
| 015-1A | 211087-9 | BALERO P/9027, HM1201 (ANTES 2110  | O    | 1    | *   |        |        |      |
| 015-2A | 210075-3 | BALERO 6200DDW P/ GA9040S          | O    | 1    |     |        |        |      |
| 015-2B | 210075-3 | BALERO 6200DDW P/ GA9040S          |      | 1    |     |        |        |      |
| 016    | 419135-0 | PLACA DIFUSORA P/GA7021            |      | 1    |     |        |        |      |
| 017A   | 526156-6 | CAMPO ASS'Y 115V P/GA7021          |      | 1    | *   |        |        |      |
| C10    | 654197-3 | TERMINAL DE RESORTE DE COBRE F     |      | 2    | *   |        |        |      |
| C20    | 654502-4 | CONECTOR P/9401,MT2240             |      | 2    | *   |        |        |      |
| 017-1A | 526176-0 | FIELD ASS'Y 115V                   | O    | 1    | *   |        |        |      |
| C10    | 654197-3 | TERMINAL DE RESORTE DE COBRE F     |      | 2    | *   |        |        |      |
| C20    | 654553-7 | CONECTOR P/LS1030                  |      | 2    | *   |        |        |      |
| 017-1B | 526178-6 | FIELD ASS'Y 220V                   |      | 1    |     |        |        |      |
| C10    | 654197-3 | TERMINAL DE RESORTE DE COBRE F     |      | 2    |     |        |        |      |

| Pieza  | Código   | Descripción                         | Info | CTD. | N/O | Opc. 1 | Opc. 2 | OBS. |
|--------|----------|-------------------------------------|------|------|-----|--------|--------|------|
| C20    | 654502-4 | CONECTOR P/9401,MT2240              |      | 2    |     |        |        |      |
| 017-2A | 520071-6 | CAMPO ASS'Y 115V P/GA7021           | O    | 1    |     |        |        |      |
| C10    | 654197-3 | TERMINAL DE RESORTE DE COBRE F      |      | 2    |     |        |        |      |
| C20    | 654502-4 | CONECTOR P/9401,MT2240              |      | 2    |     |        |        |      |
| 018A   | 266329-6 | TORNILLO 5X60 P/MT580               |      | 2    | *   |        |        |      |
| 018-1A | 266044-2 | TORNILLO 5X60 P/9069, 9067, 9067L C | O    | 2    |     |        |        |      |
| 018-1B | 266044-2 | TORNILLO 5X60 P/9069, 9067, 9067L C |      | 2    |     |        |        |      |
| 019    | 154671-6 | CARCAZA DE MOTOR COMPL P/GA70       |      | 1    |     |        |        |      |
| C10    | 643712-8 | CEPILLO DE DEPOSITO P/GA9010C       |      | 2    |     |        |        |      |
| 020    | 643700-5 | TAPA CARBON CB-200 P/HM1303B,MT     |      | 2    |     |        |        |      |
| 021A   | 191957-7 | JUEGO DE CARBONES CB-204 P/9069     |      | 1    | *   |        |        |      |
| 021-1A | 194992-4 | JUEGO DE CARBONES CB-204 P/GA90     | <    | 1    |     |        |        |      |
| 021-1B | 194992-4 | JUEGO DE CARBONES CB-204 P/GA90     |      | 1    |     |        |        |      |
| 022    | 861760-7 | GA7020 NAME PLATE                   |      | 1    |     |        |        |      |
| 025A   | 651176-2 | INTERRUPTOR P/GA7021                |      | 1    | *   |        |        |      |
| 025-1A | 650101-0 | INTERRUPTOR TG08-1100-011 P/GA70    | O    | 1    |     |        |        |      |
| 025-1B | 650101-0 | INTERRUPTOR TG08-1100-011 P/GA70    |      | 1    |     |        |        |      |
| 027    | 188059-8 | JUEGO DE MANIVLEA P/GA7021          |      | 1    |     |        |        |      |
| C10    | 423350-0 | LAMINA DE LA ESPONJA P/GA7021       |      | 1    |     |        |        |      |
| D10    |          | INC. 32                             |      |      |     |        |        |      |
| 028    | 266385-6 | TORNILLO 4X14 P/GA9050R             |      | 1    |     |        |        |      |
| 029A   | 687169-3 | RELIEVE DE TENSION P/9557PB         |      | 1    |     |        |        |      |
| 029B   | 687678-2 | STRAIN RELIEF                       |      | 1    |     |        |        |      |
| 030A   | 664463-0 | CABLE DE PODER No.2-14-8 P/9067,90  |      | 1    |     |        |        |      |
| 030B   | 691216-4 | POWER SUPPLY CORD 1.25-2-2.5        |      | 1    |     |        |        |      |
| 031    | 682560-0 | CUBRE CABLE 10 P/9079               |      | 1    |     |        |        |      |
| 032    | 188059-8 | JUEGO DE MANIVLEA P/GA7021          |      | 1    |     |        |        |      |
| C10    | 423350-0 | LAMINA DE LA ESPONJA P/GA7021       |      | 1    |     |        |        |      |
| D10    |          | INC. 27                             |      |      |     |        |        |      |
| 033    | 266374-1 | TORNILLO 4X25 P/HR2470              |      | 4    |     |        |        |      |
| 034    | 213062-1 | EMPAQUE "O" 9 P/LS1211              |      | 1    |     |        |        |      |
| 035    | 256491-5 | SOPORTE DEL PERNO P/GA7021          |      | 1    |     |        |        |      |
| 036    | 263002-9 | PERNO DE GOMA 4 P/5007NB, JR3000    |      | 1    |     |        |        |      |
| 037A   | 210067-2 | BALERO P/MT952,MT240,MT580          |      | 1    | *   |        |        |      |
| 037-1A | 211062-5 | BALERO P/1911B                      | O    | 1    | *   |        |        |      |
| 037-2A | 210067-2 | BALERO P/MT952,MT240,MT580          | O    | 1    |     |        |        |      |
| 037-2B | 210067-2 | BALERO P/MT952,MT240,MT580          |      | 1    |     |        |        |      |
| 038    | 227489-9 | ENGRANE CORONA P/MGA700             |      | 1    |     |        |        |      |
| 039    | 265120-9 | TORNILLO M5X16 P/MT580              |      | 3    |     |        |        |      |
| 040    | 285724-1 | RETEN DE RODAMIENTO P/GA7021        |      | 1    |     |        |        |      |
| 041A   | 211285-5 | COJINETE DE BOLAS P/GA7021 DESC     |      | 1    | *   |        |        |      |
| 041-1A | 211278-2 | BALERO P/5077B, 9069, 9067, 9067L   | O    | 1    | *   |        |        |      |
| 041-2A | 211285-5 | COJINETE DE BOLAS P/GA7021 DESC     | O    | 1    |     |        |        |      |
| 041-2B | 211285-5 | COJINETE DE BOLAS P/GA7021 DESC     |      | 1    |     |        |        |      |
| 042    | 213760-7 | EMPAQUE "O" 78 P/HR2010             |      | 1    |     |        |        |      |
| 043    | 317988-0 | CAJA DE BALERO P/GA7021             |      | 1    |     |        |        |      |
| 044    | 265541-5 | TORNILLO DE CABEZA HEXAGONAL M      |      | 4    |     |        |        |      |
| 045A   | 154683-9 | EJE COMPL P/GA7021 ANTES            |      | 1    | *   |        |        |      |

# Modelo GA7020 ESMERILADORA ANGULAR

| Pieza  | Código   | Descripción                        | Info | CTD. | N/O | Opc. 1 | Opc. 2 | OBS. |
|--------|----------|------------------------------------|------|------|-----|--------|--------|------|
| C10    | 345629-8 | LABYRINTH RING 25                  |      | 1    | *   |        |        |      |
| 045-1A | 158207-3 | EJE COMPL P/GA7021 ANTES 1546839   | S    | 1    |     |        |        |      |
| C10    | 345629-8 | LABYRINTH RING 25                  |      | 1    |     |        |        |      |
| 045-1B | 158207-3 | EJE COMPL P/GA7021 ANTES 1546839   |      | 1    |     |        |        |      |
| C10    | 345629-8 | LABYRINTH RING 25                  |      | 1    |     |        |        |      |
| 046    | 265158-4 | TORNILLO M8X25 P/9067, 9067L       |      | 1    |     |        |        |      |
| 047    | 154676-6 | WHEEL COVER 180A COMPLETE          |      | 1    |     |        |        |      |
| D10    |          | INC. 46                            |      |      |     |        |        |      |
| 048A   | 224317-9 | INNER FLANGE 89                    |      | 1    | *   |        |        |      |
| 048-1A | 224378-9 | BRIDA INTERNA 45 P/9561 DES A 2243 | <    | 1    |     |        |        |      |
| 048-1B | 224378-9 | BRIDA INTERNA 45 P/9561 DES A 2243 |      | 1    |     |        |        |      |
| 049    | 224568-4 | LOCK NUT 5/8-45                    |      | 1    |     |        |        |      |
| 050A   | 233946-7 | ANILLO DE SEGURIDAD 15 P/MGA900    |      | 1    |     |        |        |      |
| 050B   | 233946-7 | ANILLO DE SEGURIDAD 15 P/MGA900    |      | 1    |     |        |        |      |
| 051A   | 819357-6 | CLEAR LABEL                        |      | 1    | *   |        |        |      |
| 051-1A | 892272-9 | CLEAR LABEL                        | <    | 1    |     |        |        |      |
| 051-1B | 892272-9 | CLEAR LABEL                        |      | 1    |     |        |        |      |
| A01    | 152539-0 | GRIP 36 COMPLETE                   |      | 1    |     |        |        |      |
| A02    | 782412-6 | LOCK NUT WRENCH 28                 |      | 1    |     |        |        |      |
|        |          |                                    |      |      |     |        |        |      |
|        |          |                                    |      |      |     |        |        |      |
|        |          |                                    |      |      |     |        |        |      |
|        |          |                                    |      |      |     |        |        |      |
|        |          |                                    |      |      |     |        |        |      |
|        |          |                                    |      |      |     |        |        |      |
|        |          |                                    |      |      |     |        |        |      |
|        |          |                                    |      |      |     |        |        |      |
|        |          |                                    |      |      |     |        |        |      |
|        |          |                                    |      |      |     |        |        |      |
|        |          |                                    |      |      |     |        |        |      |
|        |          |                                    |      |      |     |        |        |      |
|        |          |                                    |      |      |     |        |        |      |
|        |          |                                    |      |      |     |        |        |      |
|        |          |                                    |      |      |     |        |        |      |
|        |          |                                    |      |      |     |        |        |      |
|        |          |                                    |      |      |     |        |        |      |
|        |          |                                    |      |      |     |        |        |      |
|        |          |                                    |      |      |     |        |        |      |
|        |          |                                    |      |      |     |        |        |      |
|        |          |                                    |      |      |     |        |        |      |
|        |          |                                    |      |      |     |        |        |      |
|        |          |                                    |      |      |     |        |        |      |
|        |          |                                    |      |      |     |        |        |      |
|        |          |                                    |      |      |     |        |        |      |
|        |          |                                    |      |      |     |        |        |      |
|        |          |                                    |      |      |     |        |        |      |
|        |          |                                    |      |      |     |        |        |      |
|        |          |                                    |      |      |     |        |        |      |
|        |          |                                    |      |      |     |        |        |      |
|        |          |                                    |      |      |     |        |        |      |
|        |          |                                    |      |      |     |        |        |      |
|        |          |                                    |      |      |     |        |        |      |
|        |          |                                    |      |      |     |        |        |      |
|        |          |                                    |      |      |     |        |        |      |
|        |          |                                    |      |      |     |        |        |      |
|        |          |                                    |      |      |     |        |        |      |
|        |          |                                    |      |      |     |        |        |      |
|        |          |                                    |      |      |     |        |        |      |
|        |          |                                    |      |      |     |        |        |      |
|        |          |                                    |      |      |     |        |        |      |
|        |          |                                    |      |      |     |        |        |      |