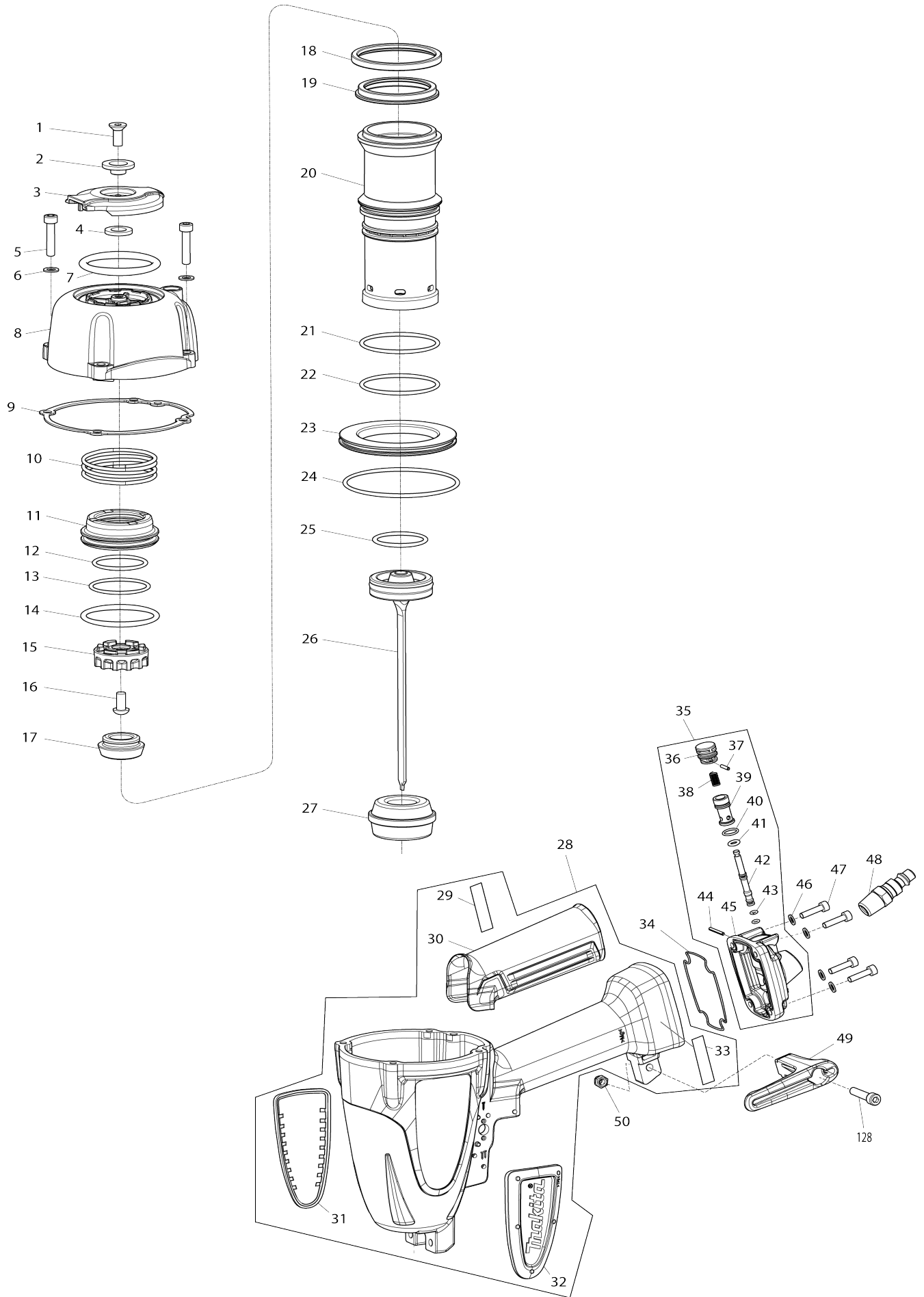
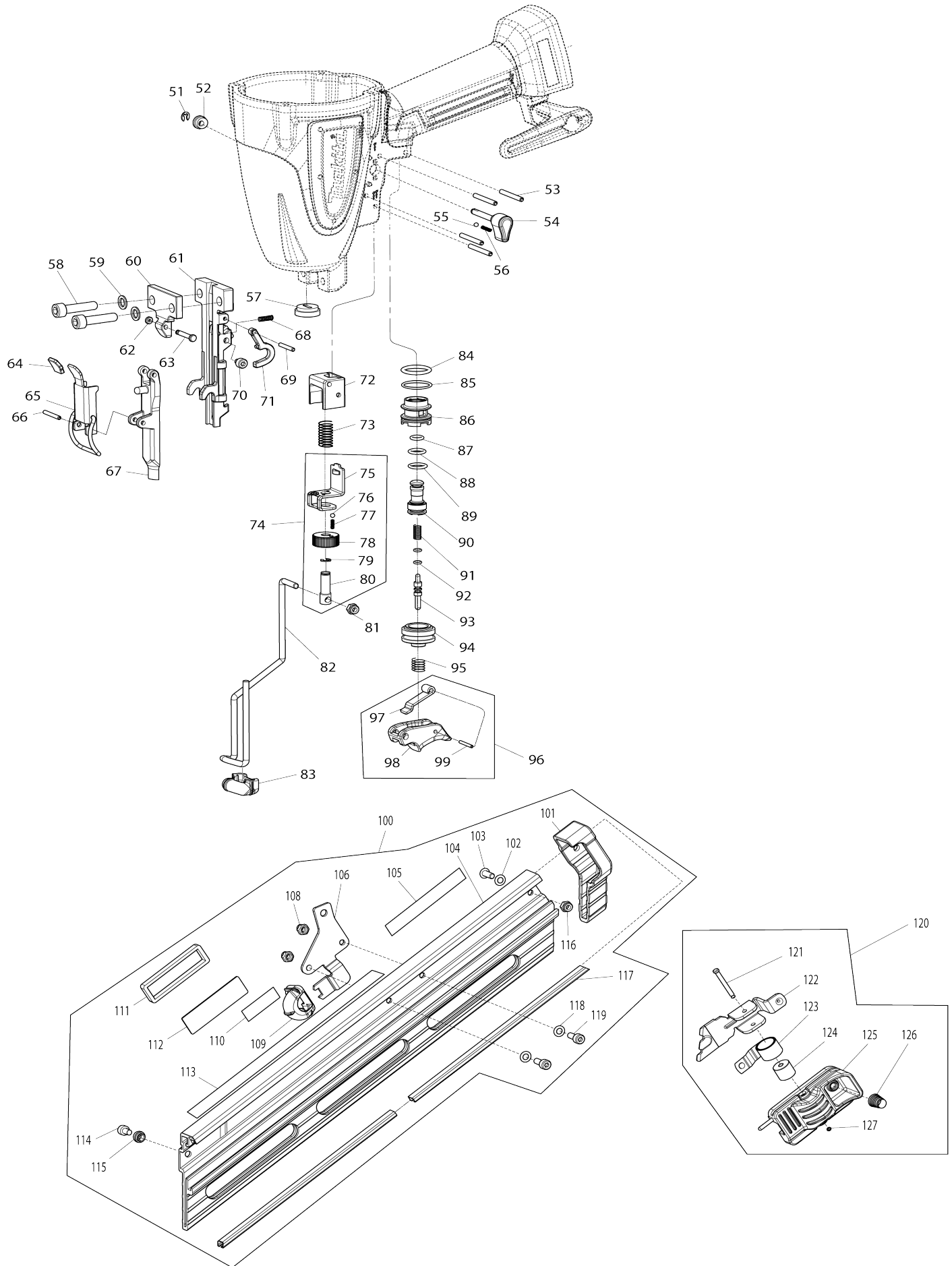


# Model No.AF635 PNEUMATIC FINISH NAILER



# Model No.AF635 PNEUMATIC FINISH NAILER



Model No.AF635 PNEUMATIC FINISH NAILER

Artículo No.	No. de Partes	Descripción	Intercambialidad	Cantidad	Nuevo/Viejo	Nota 1	Nota 2
001	HY00000655	HEX.SOCKETC.S.HEADSCREWM6X20		1			
002	HY00000522	SLEEVE6		1			
003	HY00000454	EXHAUSTCOVER		1			
004	HY00000627	RUBBERRING10		1			
005-1	HY00000075	TORNILLO		4			
006	HY00000160	ARANDELA 5 P/AF506		4			
007	HY00000523	FILTER		1			
008	HY00000450	TOPCAP		1			
009	HY00000449	TOPCAPGASCKET		1			
010	HY00000456	COMPRESSIONSPRING44		1			
011	HY00000453	HEADVALVE		1			
012	HY00000409	EMPAQUE DE GOMA 30.5 P/AF506		1			
013-1	HY00000020	ANILLO 36 P/AF505		1			
014-1	HY00000141	O-RING 45		1			
015	HY00000455	HEADVALVEGUIDE		1			
016	HY00000677	HEX.SOCKETBUTTONHEADSCREW6X12		1			
017	HY00000517	REARCUSHION		1			
018	HY00000451	VALVESHEETGUIDE		1			
019	HY00000452	VALVESHEET		1			
020	HY00000601	CYLINDER		1			
021	HY00000405	ORING47		1	*		
021-1	HY00000405	ORING47	O	1			
022	HY00000402	ORING44		1			
023	HY00000448	CYLINDERSEPARATER		1			
024	HY00000412	ORING72		1			
025	HY00000139	ANILLO "O" 35 P/AN453		1			
026	HY00000550	DRIVERCOMPLETE		1			
027	HY00000457	FRONTCUSHION		1			
028	HY00000641	HOUSINGCOMPLETE		1			
028		INC. 29-33					
029	HY00000587	NAMEPLATE		1			
030	HY00000557	GRIP		1			
031	HY00000427	HOUSINGBUMPERR		1			
032	HY00000426	HOUSINGBUMPERL		1			
033	HY00000105	CAUTION LABEL		1			
034	HY00000580	ANILLO DE ESTANCAMIENTO P/AF601		1			
035	HY00000495	BLOWERCOMPLETE		1			
035		INC. 36-45					
036	HY00000573	BOTÓN DUSTER P/AF506		1			
037	HY00000046	PERNO LISO		1			
038	HY00000591	COMPRESSIONSPRING5		1			
039	HY00000599	GUIA DE LA VALVULA P/AF506		1			
040	HY00000399	ANILLO 8.5 P/AF506		1			
041	HY00000397	ANILLO 5 P/AF506		1			
042	HY00000513	VASTAGO DE LA VALVULA P/AF50		1			

		6				
043-1	HY00000037	ANILLO		2		
044	HY00000054	PERNO LISO		1		
045	HY00000498	INLET CAP		1		
046-1	HY00000070	ARANDELA P/AF505		4		
047	HY00000530	HEX.SOCKETHHEADBOLTM4X20		4		
048	HY00000079	EMPALME P/AF505		1		
049	HY00000569	HOOK		1		
050	HY00000528	HEX.LOCKNUTM5		1		
051	HY00000659	STOP RING E-3		2		
052	HY00000520	SLEEVE4		1		
053	HY00000165	SPRING PIN 3-28		4		
054	HY00000518	LEVER4		1		
055-1	HY00000526	STEELBALL3		1		
056	HY00000590	COMPRESSIONSPRING2		1		
057	HY00000023	SELLO FRONTAL P/AF505		1		
058	HY00000652	HEX.SOCKETHHEADBOLTM6X30		2		
059	HY00000163	SPRING WASHER 6		2		
060	HY00000464	PLATE		1		
061	HY00000605	DRIVERGUIDE		1		
062	HY00000043	SEGURO DE GOMA P/AF505		1		
063	HY00000461	PIN3		1		
064	HY00000051	CAPA P/AF505		1		
065	HY00000462	LATCH		1		
066	HY00000678	ROLLPIN3-20		1		
067	HY00000463	DOOR		1		
068	HY00000469	COMPRESSIONSPRING3		1		
069	HY00000658	SPRINGPIN2.5-12		1		
070	HY00000649	TORNILLO CABEZA HEXAGONAL M4X4 P/AF506		1		
071	HY00000467	STOPPER		1		
072	HY00000505	HOLDER		1		
073	HY00000607	COMPRESSIONSPRING8		1		
074	HY00000440	UPPERYOKECOMPLETE		1		
074		INC. 75-80				
075	HY00000443	UPPERYOKE		1		
076-1	HY00000526	STEELBALL3		1		
077	HY00000470	COMPRESSIONSPRING2		1		
078	HY00000608	ADJUSTERDIAL		1		
079-1	HY00000659	STOP RING E-3		1		
080	HY00000609	ADJUSTERSHAFT		1		
081-1	HY00000159	TORNILLO M4 P/AF506		1		
082	HY00000442	CONTACTARM		1		
083-1	HY00000422	NOSE ADAPTER		1		
084	HY00000135	O-RING 15		1		
085	HY00000137	O-RING 17		1		
086	HY00000446	TRIGGERVALVEGUIDE		1		
087	HY00000131	O-RING 6		1		
088	HY00000132	O-RING 7		1		
089	HY00000134	O-RING 9		1		
090	HY00000182	PILOT VALVE		1		
091	HY00000146	COMPRESSION SPRING 4		1		

092-1	HY00000037	ANILLO		2		
093	HY00000514	TRIGGERVALVESTEM		1		
094	HY00000447	TRIGGERVALVECASE		1		
095-1	HY00000705	COMPRESSION SPRING 10		1		
096	HY00000433	TRIGGERCOMPLETE		1		
096		INC. 97-99				
097	HY00000437	IDLER		1		
098	HY00000436	DISPARADOR P/AF506		1		
099	HY00000042	PERNO LISO		1		
100	HY00000706	MAGAZINECOMPLETE		1		
100		INC. 101-106,108-119				
101	HY00000466	MAGAZINECAP		1		
102-1	HY00000070	ARANDELA P/AF505		1		
103	HY00000654	BUTTON BOLT M4X10		1		
104	HY00000481	MAGAZINE		1		
105	HY00000584	CAUTIONLABEL		1		
106	HY00000541	JOINT		1		
108-1	HY00000159	TORNILLO M4 P/AF506		2		
109-1	HY00000422	NOSE ADAPTER		1		
110	HY00000582	CAUTIONLABEL		1		
111	HY00000574	CASE		1		
112	HY00000576	DOUBLESIDETAPE		1		
113	HY00000707	CAUTIONLABEL		1		
114	HY00000074	TORNILLO M4X8 P/AF505		1		
115	HY00000633	BUJE P/AF506		1		
116-1	HY00000159	TORNILLO M4 P/AF506		1		
117	HY00000458	MAGAZINERAIL		2		
118-1	HY00000070	ARANDELA P/AF505		2		
119	HY00000001	TORNILLO		2		
120	HY00000487	PUSHERBASECOMPLETE		1		
120		INC. 121-127				
121	HY00000637	PIN3		1		
122	HY00000468	PUSHER		1		
123	HY00000460	SPIRALSPRING		1		
124	HY00000459	SPRINGHOLDER		1		
125	HY00000465	PUSHERLEVER		1		
126	HY00000630	CONICALCOMPRESSIONSPRING 5-10		1		
127	HY00000411	ORING2		1		
128-1	HY00000075	TORNILLO		1		
A01	HY00000686	BLOW MOULD CASE		1		
A02	HY00000688	COLOR SLEEVE		1		
A03	HY00000690	MASTER CARTON		1		
A04	HY00000394	GOGGLES		1		
A05	HY00000396	OIL		1	*	
A05-1	181434-7	Recipiente para aceite 30CC	O	1	*	
A05-2	HY00000396	OIL	O	1		

Por favor declare No. de Partes cuando ordene.

Fecha de Impresión 21/01/2025