



MX

MEXICO

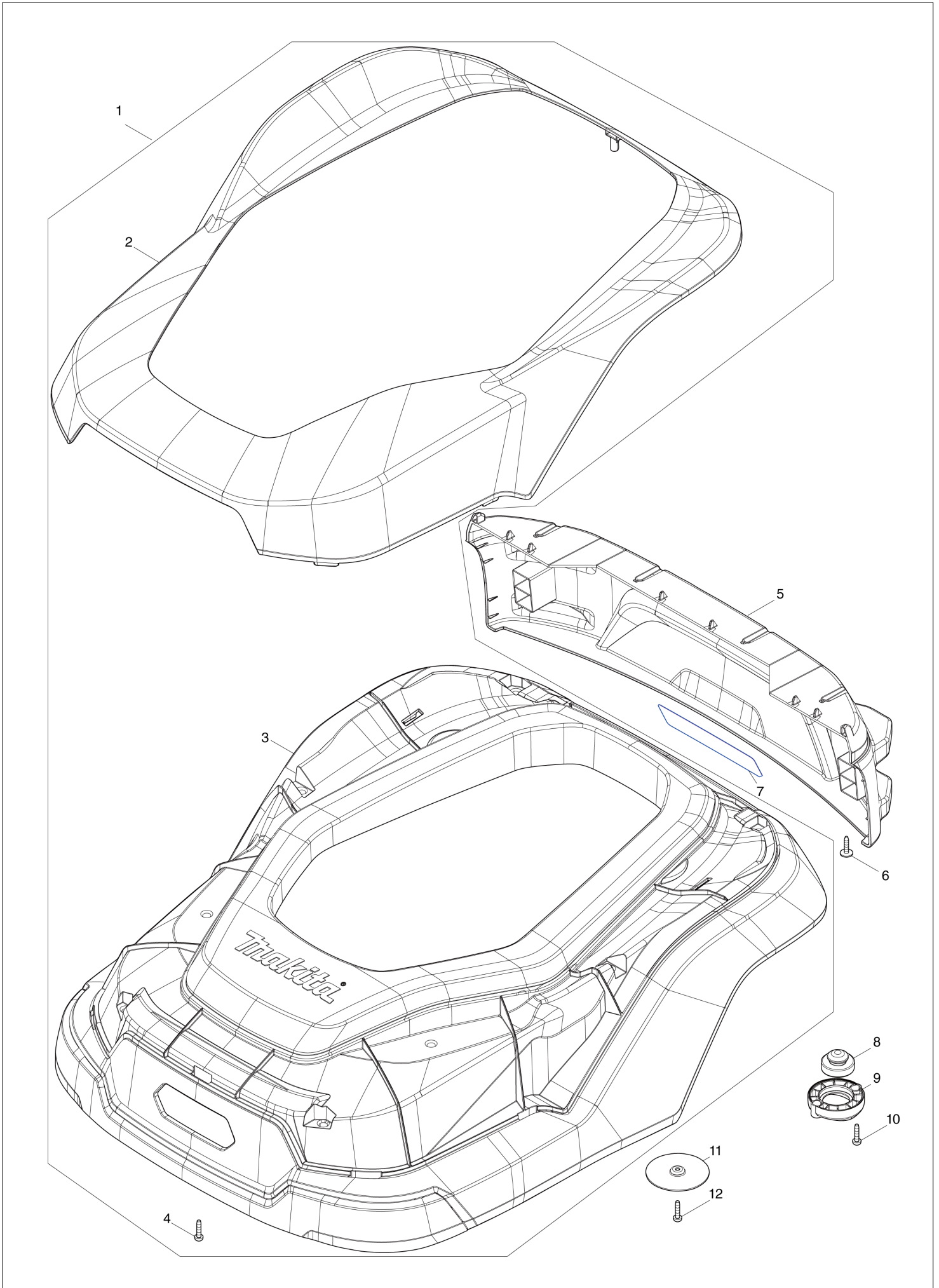
Diagram / Parts List

RM350D

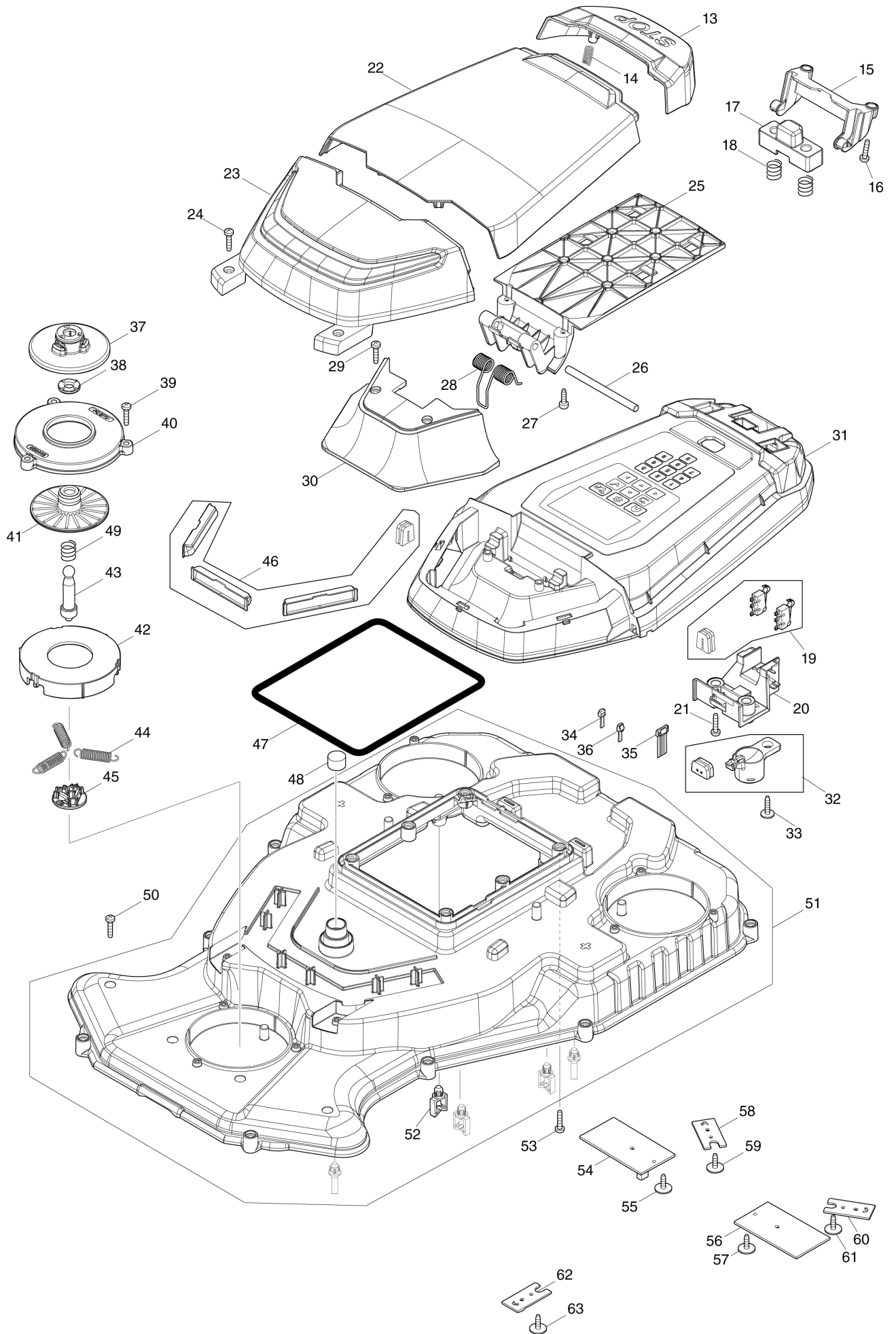
ROBOTIC MOWER



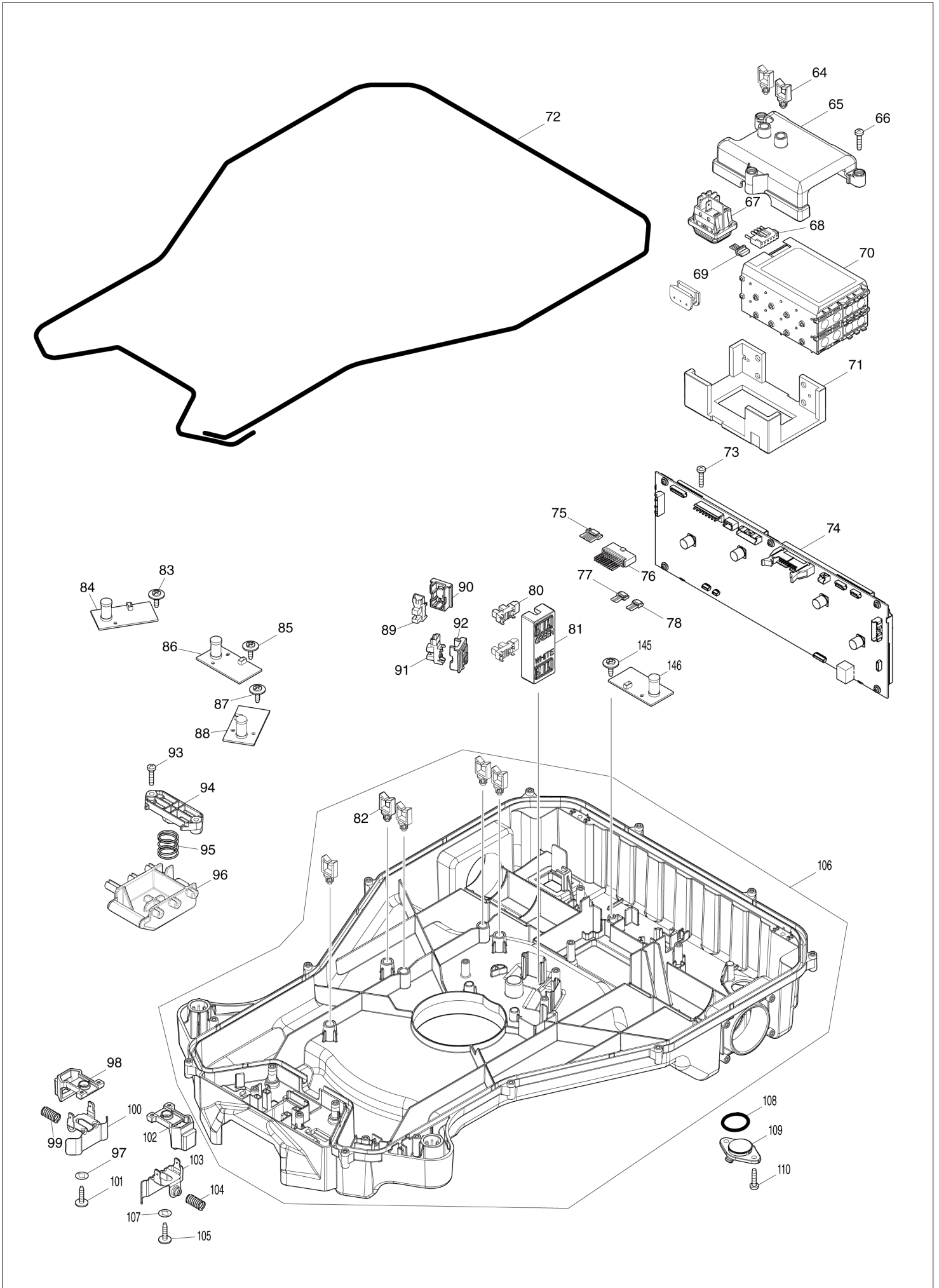
(MX) RM350D / ROBOTIC MOWER



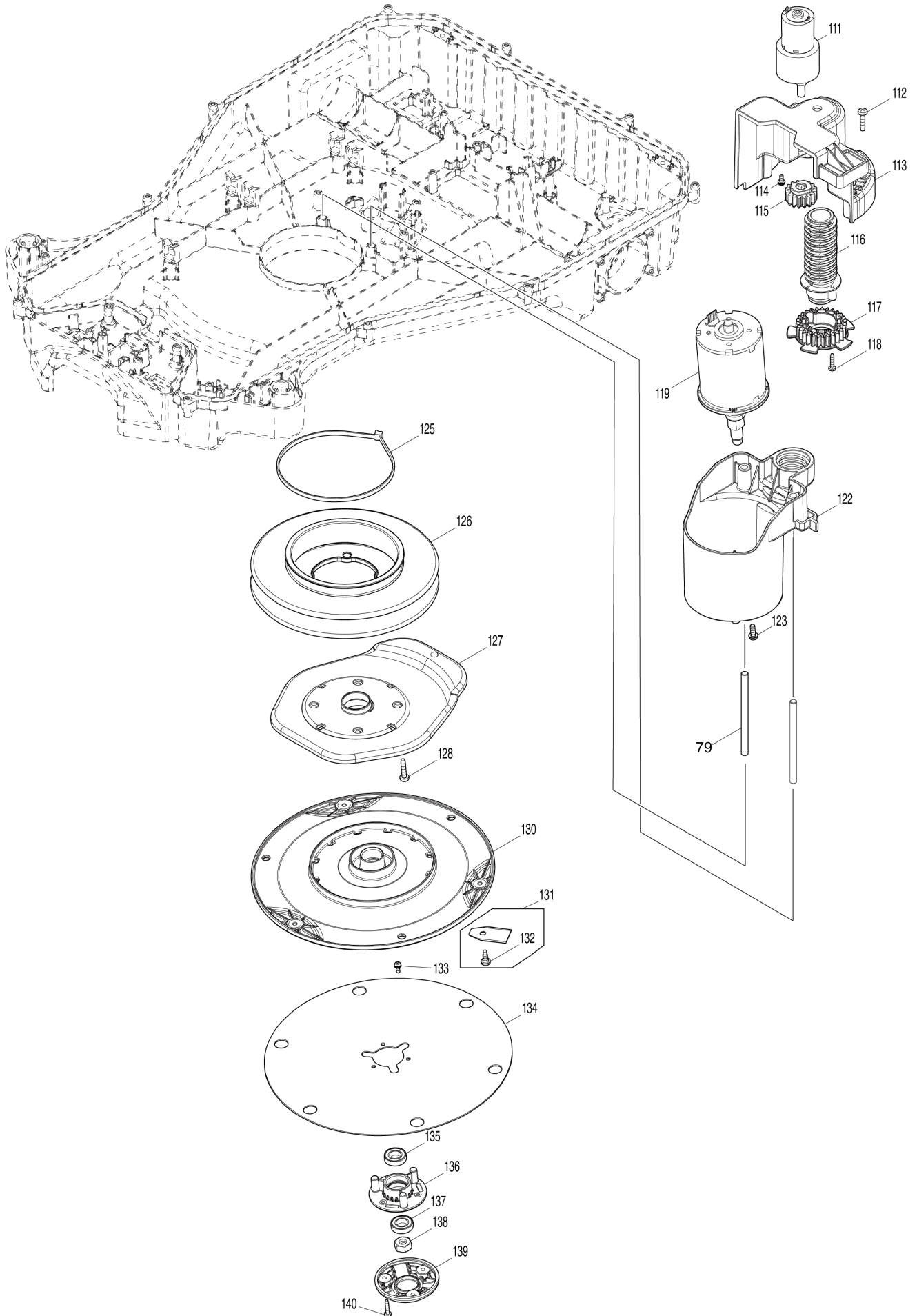
(MX) RM350D / ROBOTIC MOWER



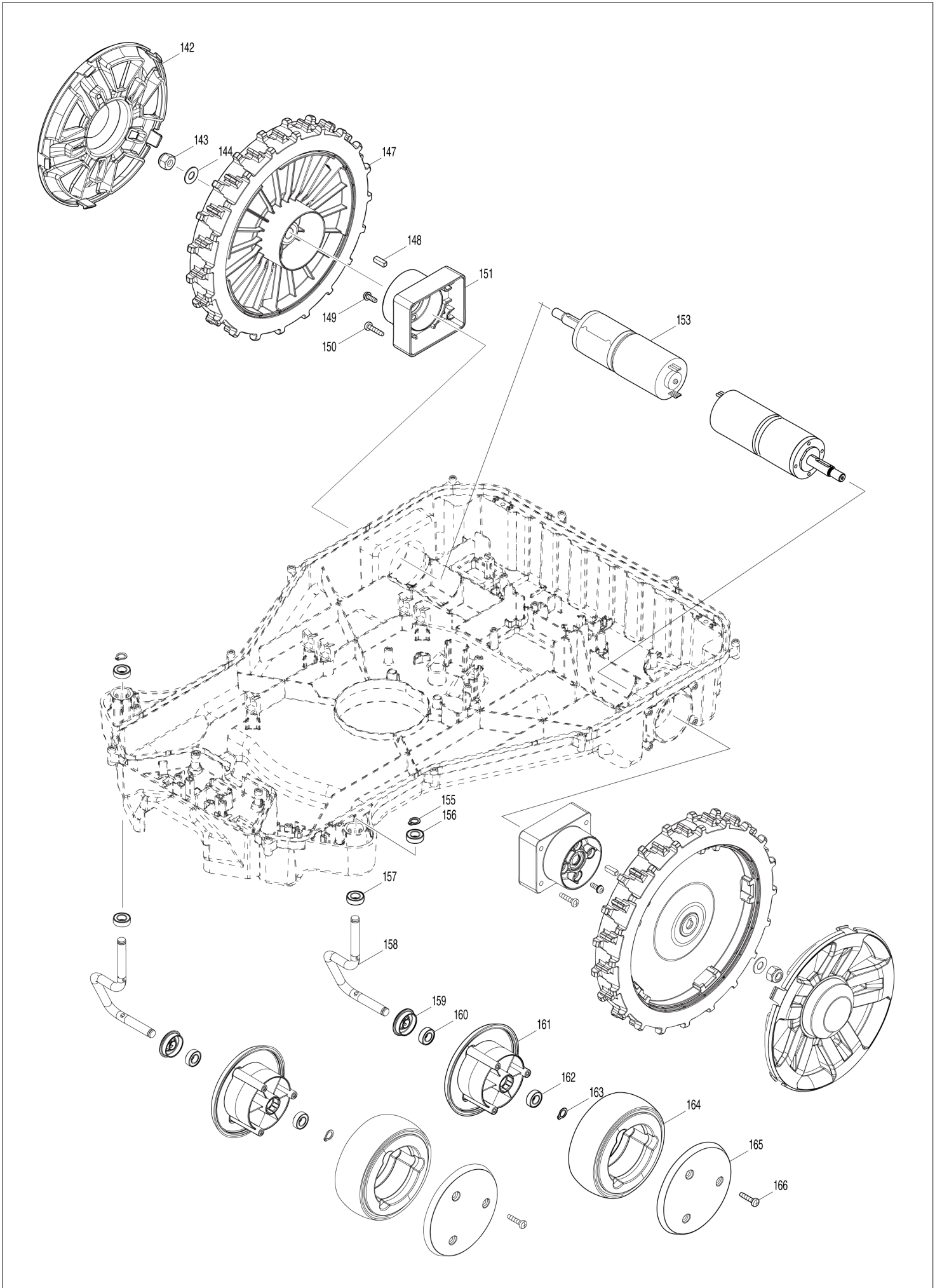
(MX) RM350D / ROBOTIC MOWER



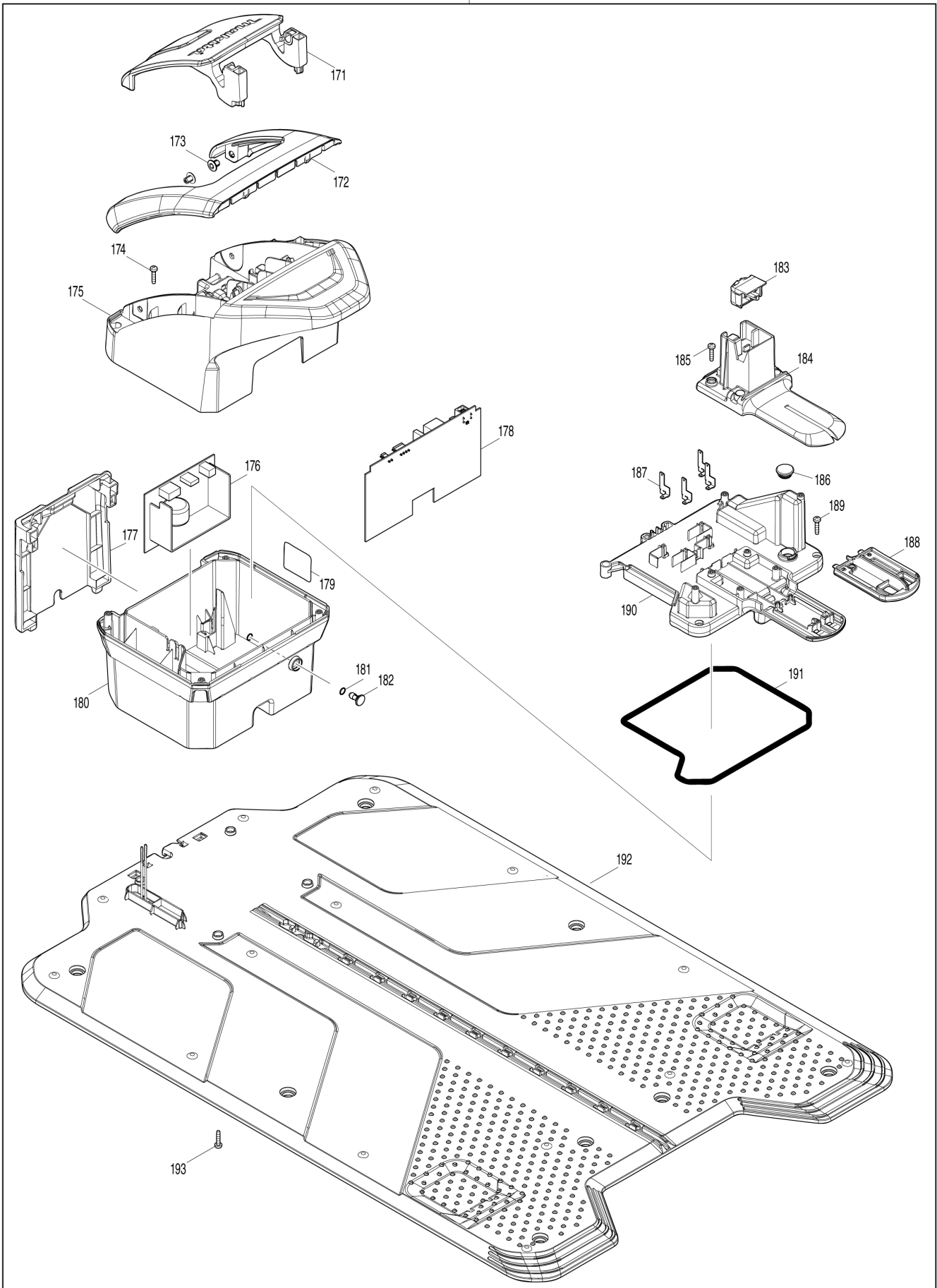
(MX) RM350D / ROBOTIC MOWER



(MX) RM350D / ROBOTIC MOWER



170



| | |
|-----------|---------------|
| MX | MEXICO |
|-----------|---------------|

RM350D / ROBOTIC MOWER

| Item | Sub | Parts No. | Parts Description | Qty | I/C | E/C No. | Close No. | Remark |
|-------|-----|-----------|---------------------------|-----|-----|---------|-----------|--------|
| 001 | | 122E85-7 | TOP COVER ASSEMBLY | 1 | | | | |
| | D10 | | INC. 2-4 | | | | | |
| 002 | | 413S26-1 | COVER | 1 | | | | |
| 003 | | 141R82-2 | TOP COVER COMPLETE | 1 | | | | |
| 004 | | 266045-0 | TAPPING SCREW 4X20 | 9 | | | | |
| 005 | | 141V18-5 | REAR BUMPER COMPLETE | 1 | | | DW564 | |
| | C10 | 8073R6-1 | CAUTION LABEL | 1 | | | DW564 | |
| 005-1 | | 137243-2 | REAR BUMPER ASS'Y | 1 | < | DW564 | | |
| | C10 | 8073R6-1 | CAUTION LABEL | 1 | | DW564 | | |
| | C20 | 8087N1-0 | INDICATION LABEL | 1 | | DW564 | | |
| 006 | | 265620-9 | TAPPING SCREW FLANGE 4X18 | 4 | | | | |
| 007 | | 8143H9-8 | RM350D NAME PLATE | 1 | | | | |
| 008 | | 422A40-8 | RUBBER RETAINER | 3 | | | | |
| 009 | | 413S28-7 | RUBBER HOLDER | 3 | | | | |
| 010 | | 266045-0 | TAPPING SCREW 4X20 | 6 | | | | |
| 011 | | 347B51-7 | SENSOR PLATE | 2 | | | | |
| 012 | | 266045-0 | TAPPING SCREW 4X20 | 2 | | | | |
| 013 | | 413S11-4 | STOP BUTTON | 1 | | | | |
| 014 | | 232836-1 | COMPRESSION SPRING 6 | 2 | | | | |
| 015 | | 413S12-2 | STOP BUTTON ARM | 1 | | | | |
| 016 | | 266045-0 | TAPPING SCREW 4X20 | 2 | | | | |
| 017 | | 413S13-0 | LOCK OFF BUTTON | 1 | | | | |
| 018 | | 234347-2 | COMPRESSION SPRING 11 | 2 | | | | |
| 019 | | 632U81-8 | SWITCH UNIT | 1 | | | | |
| 020 | | 413S14-8 | SWITCH HOLDER | 1 | | | | |
| 021 | | 266045-0 | TAPPING SCREW 4X20 | 2 | | | | |
| 022 | | 413S09-1 | DISPLAY COVER A | 1 | | | | |
| 023 | | 162C59-4 | FRONT COVER COMPLETE | 1 | | | DS236 | |
| | C10 | 413S16-4 | LENS | 1 | | | DS236 | |
| 023-1 | | 162C59-4 | FRONT COVER COMPLETE | 1 | < | DS236 | | |
| 024 | | 266045-0 | TAPPING SCREW 4X20 | 2 | | | | |
| 025 | | 413S10-6 | DISPLAY COVER B | 1 | | | | |
| 026 | | 327C13-7 | ROD 6 | 1 | | | | |
| 027 | | 266192-7 | TAPPING SCREW 4X14 | 2 | | | | |
| 028 | | 232600-0 | TORSION SPRING 8 | 1 | | | | |
| 029 | | 266045-0 | TAPPING SCREW 4X20 | 2 | | | | |
| 030 | | 413S17-2 | REFLECTOR | 1 | | | | |
| 031 | | 1914D5-4 | UI CONTROLLER REPAIR SET | 1 | | | | |
| 032 | | 620M23-6 | BUZZER CIRCUIT | 1 | | | | |
| 033 | | 265620-9 | TAPPING SCREW FLANGE 4X18 | 1 | | | | |
| 034 | | 638A52-3 | LEAD UNIT H | 1 | | | | |
| 035 | | 638A51-5 | LEAD UNIT G | 1 | | | | |
| 036 | | 638A52-3 | LEAD UNIT H | 1 | | | | |
| 037 | | 413S45-7 | SLIDER COVER | 3 | | | | |
| 038 | | 422A88-0 | FELT RING 9 | 3 | | | | |
| 039 | | 266045-0 | TAPPING SCREW 4X20 | 9 | | | | |
| 040 | | 413S44-9 | SPRING COVER | 3 | | | | |
| 041 | | 413S43-1 | SLIDER | 3 | | | | |
| 042 | | 413S42-3 | SPRING HOLDER | 3 | | | | |
| 043 | | 327C14-5 | SHAFT | 3 | | | | |
| 044 | | 232809-4 | TENSION SPRING 7 | 9 | | | | |
| 045 | | 141R83-0 | SLIDER BASE COMPLETE | 3 | | | | |
| 046 | | 620M22-8 | LED CIRCUIT | 1 | | | | |
| 047 | | 422A46-6 | SEAL | 1 | | | | |
| 048 | | 443129-3 | FILTER | 1 | | | | |
| 049 | | 232858-1 | COMPRESSION SPRING 11 | 3 | | | | |
| 050 | | 266045-0 | TAPPING SCREW 4X20 | 14 | | | | |
| 051 | | 122E82-3 | UPPER HOUSING ASSEMBLY | 1 | | | | |
| | D10 | | INC. 52 | | | | | |
| 052 | | 687F91-0 | CLAMP | 5 | | | | |
| 053 | | 266045-0 | TAPPING SCREW 4X20 | 6 | | | | |
| 054 | | 620M20-2 | INDUCTIVE SENSOR CIRCUIT | 1 | | | | |
| 055 | | 265D18-4 | TAPPING SCREW FLANGE 4X14 | 1 | | | | |
| 056 | | 620M20-2 | INDUCTIVE SENSOR CIRCUIT | 1 | | | | |
| 057 | | 265D18-4 | TAPPING SCREW FLANGE 4X14 | 1 | | | | |

A:RM350D(L)

Interchange
 O : Yes
 X : No
 < : the new part can be substituted for the current.
 > : the current part can be substituted for the new.
 S : Interchangeable as a set.

| | |
|-----------|---------------|
| MX | MEXICO |
|-----------|---------------|

RM350D / ROBOTIC MOWER

| Item | Sub | Parts No. | Parts Description | Qty | I/C | E/C No. | Close No. | Remark |
|-------|-----|-----------|------------------------------|-----|-----|---------|-----------|--------|
| 058 | | 620M21-0 | HALL IC CIRCUIT | 1 | | | | |
| 059 | | 265D18-4 | TAPPING SCREW FLANGE 4X14 | 1 | | | | |
| 060 | | 620M21-0 | HALL IC CIRCUIT | 1 | | | | |
| 061 | | 265D18-4 | TAPPING SCREW FLANGE 4X14 | 1 | | | | |
| 062 | | 620M21-0 | HALL IC CIRCUIT | 1 | | | | |
| 063 | | 265D18-4 | TAPPING SCREW FLANGE 4X14 | 1 | | | | |
| 064 | | 687F91-0 | CLAMP | 2 | | | | |
| 065 | | 413S21-1 | BATTERY HOLDER | 1 | | | | |
| 066 | | 266045-0 | TAPPING SCREW 4X20 | 3 | | | | |
| 067 | | 650047-0 | SWITCH DRH-03S-DDK32-02R | 1 | | | | |
| 068 | | 638A48-4 | LEAD UNIT D | 1 | | | DW625 | |
| 068-1 | | 638A48-4 | LEAD UNIT D | 1 | O | DW625 | | |
| 069 | | 638A50-7 | LEAD UNIT F | 1 | | | | |
| 070 | | 1914M2-3 | BATTERY BL1850V SET | 1 | | DS934 | | |
| 071 | | 422A43-2 | CUSHION | 1 | | | | |
| 072 | | 422A47-4 | SEAL | 1 | | | | |
| 073 | | 266045-0 | TAPPING SCREW 4X20 | 2 | | | | |
| 074 | | 1914D4-6 | CONTROLLER REPAIR SET | 1 | | | | |
| 075 | | 638A47-6 | LEAD UNIT C | 1 | | | | |
| 076 | | 638A82-4 | LEAD UNIT E | 1 | | | | |
| 077 | | 638A46-8 | LEAD UNIT B | 1 | | | | |
| 078 | | 638A45-0 | LEAD UNIT A | 1 | | | | |
| 079 | | 327C13-7 | ROD 6 | 2 | | | | |
| 080 | | 1910J8-6 | PHOTO INTERRUPTER REPAIR SET | 2 | | | | |
| 081 | | 413S40-7 | SENSOR BASE B | 1 | | | | |
| 082 | | 687F91-0 | CLAMP | 5 | | | | |
| 083 | | 265D18-4 | TAPPING SCREW FLANGE 4X14 | 1 | | | | |
| 084 | | 620M19-7 | WIRE SENSING CIRCUIT | 1 | | | | |
| 085 | | 265D18-4 | TAPPING SCREW FLANGE 4X14 | 1 | | | | |
| 086 | | 620M19-7 | WIRE SENSING CIRCUIT | 1 | | | | |
| 087 | | 265D18-4 | TAPPING SCREW FLANGE 4X14 | 1 | | | | |
| 088 | | 620M19-7 | WIRE SENSING CIRCUIT | 1 | | | | |
| 089 | | 1910J8-6 | PHOTO INTERRUPTER REPAIR SET | 1 | | | | |
| 090 | | 413S39-2 | SENSOR BASE A | 1 | | | | |
| 091 | | 1910J8-6 | PHOTO INTERRUPTER REPAIR SET | 1 | | | | |
| 092 | | 413S39-2 | SENSOR BASE A | 1 | | | | |
| 093 | | 266045-0 | TAPPING SCREW 4X20 | 2 | | | | |
| 094 | | 413S23-7 | TERMINAL HOLDER COVER | 1 | | | | |
| 095 | | 232849-2 | COMPRESSION SPRING 17 | 1 | | | | |
| 096 | | 137070-7 | TERMINAL HOLDER ASSEMBLY | 1 | | | | |
| 097 | | 253608-1 | FLAT WASHER 8 | 1 | | | | |
| 098 | | 413U92-0 | TERMINAL SLIDER | 1 | | | | |
| 099 | | 232837-9 | COMPRESSION SPRING 8 | 1 | | | | |
| 100 | | 654896-7 | TERMINAL A | 1 | | | | |
| 101 | | 265620-9 | TAPPING SCREW FLANGE 4X18 | 1 | | | | |
| 102 | | 413U92-0 | TERMINAL SLIDER | 1 | | | | |
| 103 | | 654896-7 | TERMINAL A | 1 | | | | |
| 104 | | 232837-9 | COMPRESSION SPRING 8 | 1 | | | | |
| 105 | | 265620-9 | TAPPING SCREW FLANGE 4X18 | 1 | | | | |
| 106 | | 122E83-1 | LOWER HOUSING ASSEMBLY | 1 | | | DV276 | |
| | D10 | | INC. 82 | | | | DV276 | |
| 106-1 | | 122E83-1 | LOWER HOUSING ASSEMBLY | 1 | O | DV276 | | |
| | D10 | | INC. 82 | | | DV276 | | |
| 107 | | 253608-1 | FLAT WASHER 8 | 1 | | | | |
| 108 | | 213382-3 | O-RING 22 | 1 | | | | |
| 109 | | 413S22-9 | USB CAP | 1 | | | | |
| 110 | | 266045-0 | TAPPING SCREW 4X20 | 2 | | | | |
| 111 | | 629C26-7 | DC MOTOR | 1 | | | | |
| 112 | | 266045-0 | TAPPING SCREW 4X20 | 3 | | | | |
| 113 | | 413S35-0 | HEIGHT ADJUST BASE | 1 | | | | |
| 114 | | 911008-8 | PAN HEAD SCREW M3X8 | 2 | | | | |
| 115 | | 227B09-1 | SPUR GEAR 16 | 1 | | | | |
| 116 | | 413S36-8 | HEIGHT ADJUST SCREW | 1 | | | | |
| 117 | | 227B10-6 | SPUR GEAR 27 | 1 | | | | |
| 118 | | 266404-8 | TAPPING SCREW BIND 3X14 | 2 | | | | |

A:RM350D(L)

Interchange
 O : Yes
 X : No
 < : the new part can be substituted for the current.
 > : the current part can be substituted for the new.
 S : Interchangeable as a set.

MX

MEXICO

RM350D / ROBOTIC MOWER

| Item | Sub | Parts No. | Parts Description | Qty | I/C | E/C No. | Close No. | Remark |
|-------|-----|-----------|-----------------------------|-----|-----|---------|-----------|--------|
| 119 | | 122G01-1 | DC MOTOR ASSEMBLY | 1 | | | DV276 | |
| | C10 | 213159-6 | O RING 13 | 1 | | | DV276 | |
| | C20 | 213382-3 | O-RING 22 | 1 | | | DV276 | |
| 119-1 | | 122G01-1 | DC MOTOR ASSEMBLY | 1 | O | DV276 | | |
| | C10 | 213159-6 | O RING 13 | 1 | | DV276 | | |
| | C20 | 213382-3 | O-RING 22 | 1 | | DV276 | | |
| 122 | | 413S29-5 | MOTOR CASE | 1 | | | | |
| 123 | | 911118-1 | PAN HEAD SCREW M4X12 | 4 | | | | |
| 125 | | 453714-4 | WIRE BAND | 1 | | | | |
| 126 | | 422A44-0 | BELLOWS A | 1 | | | | |
| 127 | | 413S31-8 | BLADE COVER | 1 | | | | |
| 128 | | 266045-0 | TAPPING SCREW 4X20 | 4 | | | | |
| 130 | | 413S32-6 | BLADE BASE | 1 | | | | |
| 131 | | 1913M9-3 | BLADE SET G | 1 | | | | |
| | D10 | | INC. 132 | | | | | |
| 132 | | 265D19-2 | + BINDING HEAD SCREW M4X5 | 3 | | | | |
| 133 | | 911008-8 | PAN HEAD SCREW M3X8 | 3 | | | | |
| 134 | | 347B52-5 | SKID PLATE | 1 | | | | |
| 135 | | 210171-7 | BALL BEARING 6800ZZ | 1 | | | | |
| 136 | | 413S33-4 | HUB | 1 | | | | |
| 137 | | 210171-7 | BALL BEARING 6800ZZ | 1 | | | | |
| 138 | | 931402-8 | HEX. NUT M8 | 1 | | | | |
| 139 | | 122G00-3 | NUT COVER ASSEMBLY | 1 | | | | |
| | C10 | 213382-3 | O-RING 22 | 1 | | | | |
| 140 | | 266404-8 | TAPPING SCREW BIND 3X14 | 3 | | | | |
| 142 | | 413S50-4 | REAR WHEEL COVER | 2 | | | | |
| 143 | | 252105-4 | HEX. LOCK NUT M8-13 | 2 | | | | |
| 144 | | 941201-0 | FLAT WASHER 8 | 2 | | | | |
| 145 | | 265D18-4 | TAPPING SCREW FLANGE 4X14 | 1 | | | | |
| 146 | | 620M19-7 | WIRE SENSING CIRCUIT | 1 | | | | |
| 147 | | 122E87-3 | REAR WHEEL ASSEMBLY | 2 | | | | |
| 148 | | 254204-8 | KEY 4 | 2 | | | | |
| 149 | | 911118-1 | PAN HEAD SCREW M4X12 | 8 | | | | |
| 150 | | 266045-0 | TAPPING SCREW 4X20 | 8 | | | | |
| 151 | | 122F99-2 | MOTOR BRACKET ASSEMBLY | 2 | | | | |
| | C10 | 213615-6 | O RING 46 | 1 | | | | |
| 153 | | 629C25-9 | DC MOTOR | 2 | | | | |
| 155 | | 961004-6 | RETAINING RING (EXT) S-8 | 2 | | | | |
| 156 | | 210211-1 | BALL BEARING 688LLU | 2 | | | | |
| 157 | | 210211-1 | BALL BEARING 688LLU | 2 | | | | |
| 158 | | 327C11-1 | FRONT SHAFT | 2 | | | | |
| 159 | | 413S48-1 | FRONT WHEEL CAP | 2 | | | | |
| 160 | | 210211-1 | BALL BEARING 688LLU | 2 | | | | |
| 161 | | 413S46-5 | FRONT WHEEL L | 2 | | | | |
| 162 | | 210211-1 | BALL BEARING 688LLU | 2 | | | | |
| 163 | | 961004-6 | RETAINING RING (EXT) S-8 | 2 | | | | |
| 164 | | 422A41-6 | FRONT TIRE | 2 | | | | |
| 165 | | 413S47-3 | FRONT WHEEL R | 2 | | | | |
| 166 | | 266045-0 | TAPPING SCREW 4X20 | 6 | | | | |
| 170 | | 1830S4-1 | CHARGING STATION REPAIR SET | 1 | | Y09413 | | |
| | D10 | | INC.171-193 | | | Y09413 | | |
| 171 | | 413S62-7 | ROOF COVER B | 1 | | | | |
| 172 | | 413S61-9 | ROOF COVER A | 1 | | | | |
| 173 | | 412987-8 | RIVET 7 | 2 | | | | |
| 174 | | 266045-0 | TAPPING SCREW 4X20 | 4 | | | | |
| 175 | | 413S60-1 | ROOF | 1 | | | | |
| 176 | | 1914D7-0 | CHARGING CIRCUIT REPAIR SET | 1 | | | | |
| 177 | | 413S63-5 | WIRE COVER | 1 | | | | |
| 178 | | 1914D6-2 | ST CONTROLLER REPAIR SET | 1 | | | | |
| 179 | | 8143K3-1 | RST001 NAME PLATE | 1 | | Y09413 | | |
| 180 | | 413S54-6 | STATION HOUSING | 1 | | | | |
| 181 | | 213005-3 | O RING 5 | 2 | | | | |
| 182 | | 413S65-1 | LENS ST | 1 | | | | |
| 183 | | 413S64-3 | PLUG ADAPTER | 1 | | | | |
| 184 | | 413S59-6 | TERMINAL HOUSING COVER | 1 | | | | |

A:RM350D(L)

Interchange

O : Yes

X : No

< : the new part can be substituted for the current.

> : the current part can be substituted for the new.

S : Interchangeable as a set.

