



MX

MEXICO

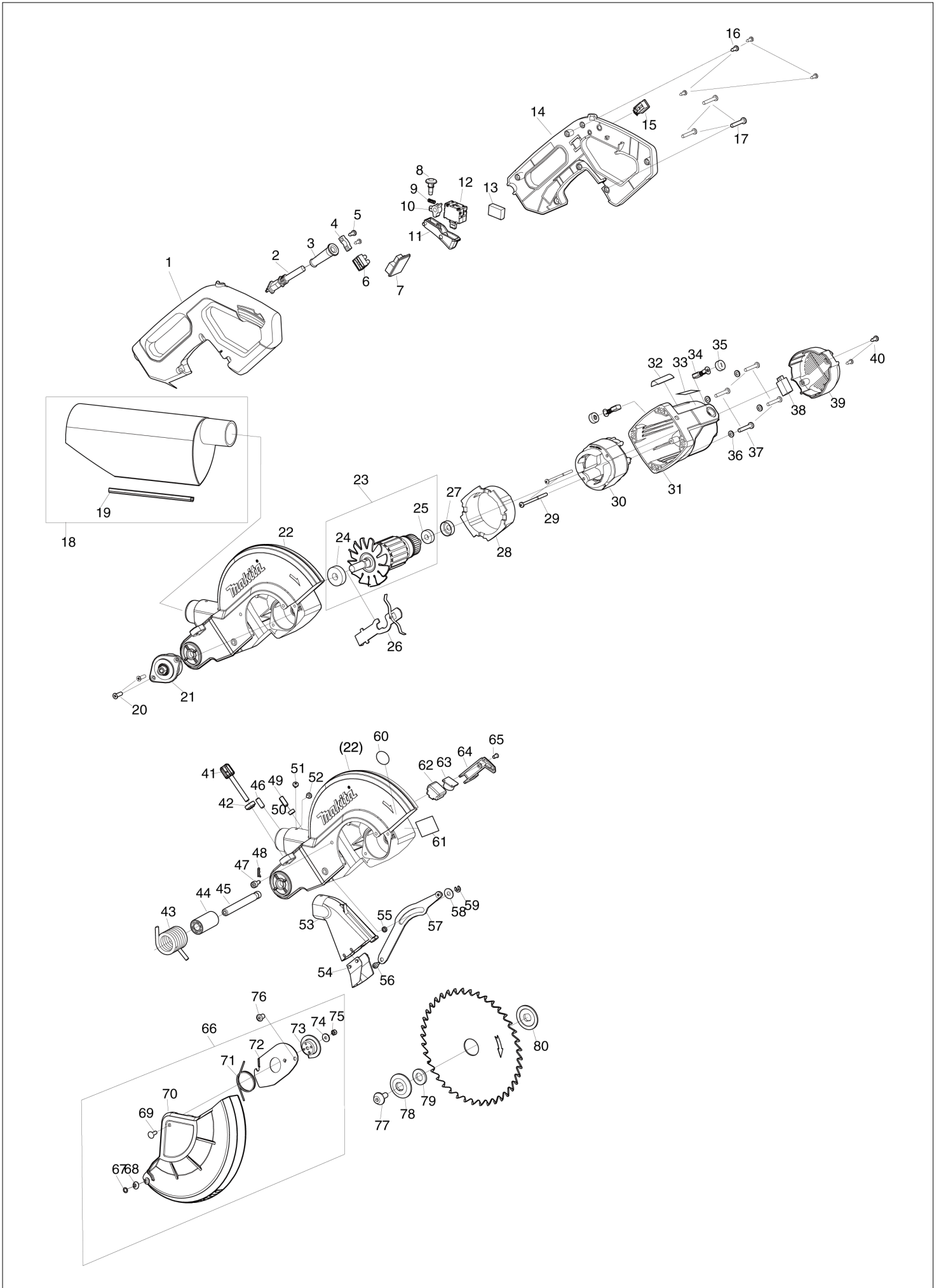
# Diagram / Parts List

**LS1110F**

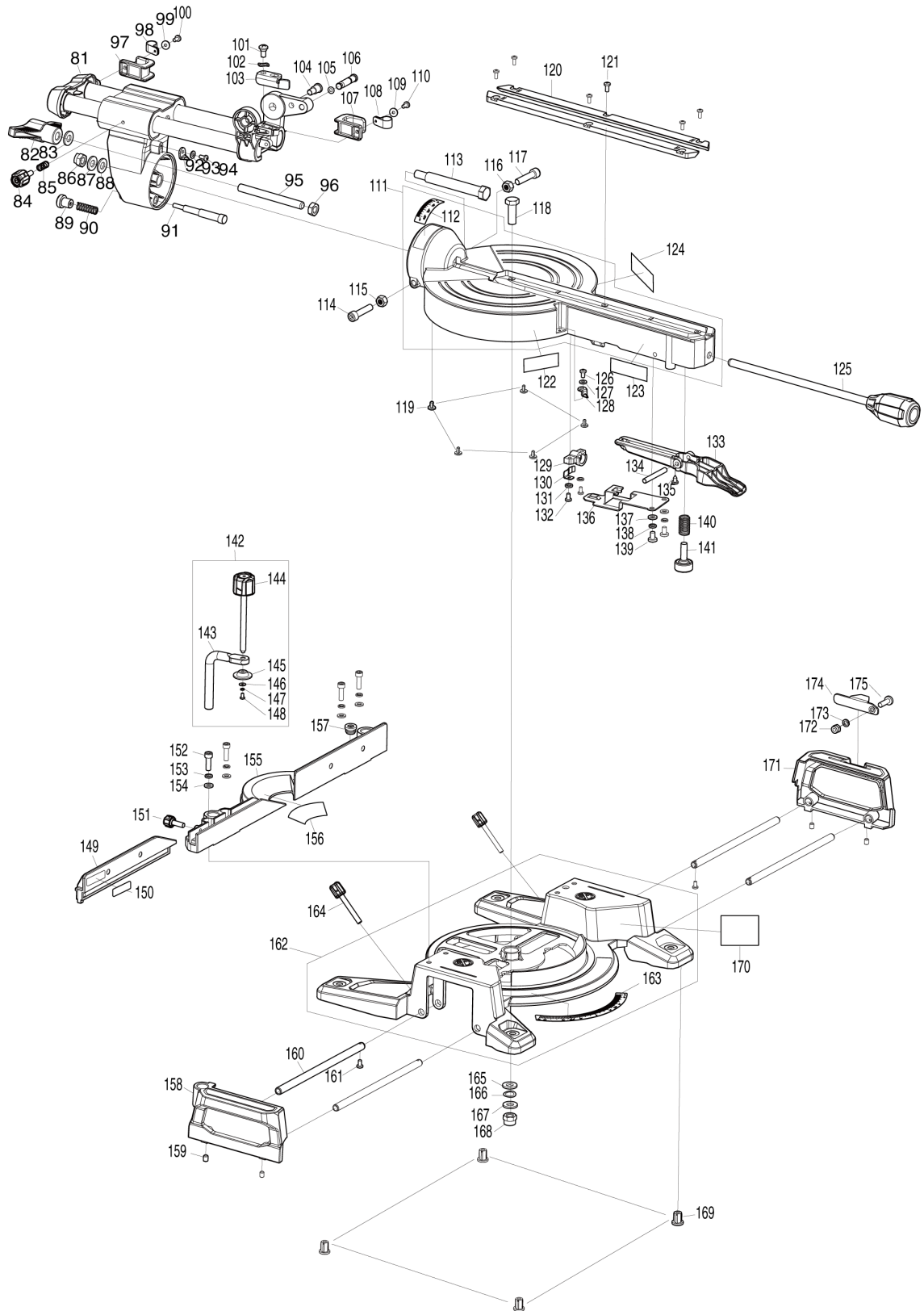
**260MM SLIDE COMPOUND MITER SAW**



# (MX) LS1110F / 260MM SLIDE COMPOUND MITER SAW



# (MX) LS1110F / 260MM SLIDE COMPOUND MITER SAW



<b>MX</b>	<b>MEXICO</b>
-----------	---------------

### LS1110F / 260MM SLIDE COMPOUND MITER SAW

Item	Sub	Parts No.	Parts Description	Qty	I/C	E/C No.	Close No.	Remark
001		JM00000648	HANDLE LEFT	1				
002		JM23000163	POWER SUPPLY CORD ASSY NEMA	1				
003		JM00000585	CORD GUARD L	1				
004		JM00000584	CORD CLAMP	1				
005		JM00000548	TAPPING SCREW ST4.2X13	2				
006		JM23100171	TERMINAL BLOCK 2P	1				
007		JM00000574	PW CIRCUIT FOR LED LAMP	1				
008		JM23100177	LOCK OFF BUTTON	1				
009		JM00000582	COMPRESSION SPRING	1				
010		JM00000581	LOCK OFF LINK ROCKER	1				
011		JM00000575	SWITCH LEVER	1				
012		JM00000577	SWITCH	1				
014		JM00000647	HANDLE RIGHT	1				
015		JM00000579	LAMP SWITCH	1				
016		JM00000548	TAPPING SCREW ST4.2X13	4				
017		JM00000551	PAN HEAD SCREW M5X30	3				
018		JM00000624	DUST BAG ASSY	1				
	D10		INC. 19					
019		JM00000534	DUST BAG CLAMP	1				
020		JM27000317	FLAT HEAD SCREW M5X16	2				
021		JM00000643	OUTPUT SHAFT ASSEMBLY	1				
022		JM00000623	UPPER BLADE GUARD COMP	1			Y09496	
022-1		JM00000699	UPPER BLADE GUARD COMP	1	X	Y09496		
023		JM00000646	ARMATURE ASSY (120-127V)	1				
	D10		INC. 24,25					
024		JM23500137	BALL BEARING 6201	1				
025		JM23200032	BEARING 6001	1				
026		JM00000644	SPINDLE LOCK LEVER COMPLETE	1				
027		JM23100172	ABSORBER RING	1				
028		JM00000625	BUFFLE PLATE	1				
029		JM00000660	SELF TAPPING SCREW ST5X60	2				
030		JM00000628	FIELD 120-127V	1				
031		JM00000629	MOTOR HOUSING ASSY	1				
032		JM00000639	NAME PLATE MX	1				
034		JM23000123	CARBON BRUSH 2PCS/SET	1				
035		JM23100182	SCREW CAP	2				
036		JM23100007	FLAT WASHER 5	4				
037		JM00000551	PAN HEAD SCREW M5X30	4				
038		JM00000440	SOFT-START PCB UNIT	1				
039		JM00000661	MOTOR END COVER	1				
040		JM00000548	TAPPING SCREW ST4.2X13	2				
041		JM00000444	KNOB BOLT M6X46	1				
042		JM00000536	KNURLED NUT M6	1				
043		JM00000611	TORSION SPRING 38	1				
044		JM00000610	SPRING BUSH	1				
045		JM00000609	PIVOT SHAFT 12X119	1				
046		JM00000537	HEX SOCKET SET SCREW M6X16	1				
047		JM00000532	HEX SOCKET HEAD BOLT M6X18	1				
048		JM00000531	R-PIN 6	1				
049		JM00000538	SET SCREW M6X18	1				
050		JM23100035	ANTI-LOOSEN RING	1				
051		JM00000460	TAPPING SCREW ST4.2X9.5	1				
052		JM00000460	TAPPING SCREW ST4.2X9.5	1				
053		JM00000618	DUST PORT	1				
054		JM00000619	DUST CHUTE PLATE	1				
055		JM23100098	LINK SLEEVE	1				
056		JM00000495	STEPPED H.S.H.BOLT M6X10	1				
057		JM00000621	LINK PLATE COMP	1				
058		JM23100071	THIN FLAT WASHER 6	1				
059		JM00000525	STOP RING E-5	1				
060		JM00000589	CAUTION LABEL	1				
061		JM00000590	CAUTION LABEL	1				
062		JM00000540	LED LAMP BOX	1				
063		JM00000541	LED LAMP COMP	1				
064		JM00000622	LED WIRE COVER	1				

A:

Interchange  
 O : Yes  
 X : No  
 < : the new part can be substituted for the current.  
 > : the current part can be substituted for the new.  
 S : Interchangeable as a set.

MX

MEXICO

## LS1110F / 260MM SLIDE COMPOUND MITER SAW

Item	Sub	Parts No.	Parts Description	Qty	I/C	E/C No.	Close No.	Remark
065		JM23100065	PAN HEAD SCREW M4X8	1				
066		JM00000613	LOWER BLADE GUARD ASSY	1				
	D10		INC. 67-75					
067		JM00000503	PUSH NUT 5	1				
068		JM00000504	GUARD WHEEL	1				
069		JM00000614	SQUARE NECK BOLT M5X16	1				
070		JM00000615	LOWER BLADE GUARD	1				
071		JM00000507	TORSION SPRING 40	1				
072		JM00000616	GUARD FIX PLATE	1				
073		JM00000617	BOWL PLATE	1				
074		JM00000510	FLAT WASHER 5L	1				
075		JM23100141	HEX LOCK NUT 5	1				
076		JM00000530	STEPPED TRASS HEAD BOLT M6X10	1				
077		JM00000620	HEX SOCKET HEAD BOLT M8X20 LH	1				
078		JM23100124	BLADE FLANGE	1				
080		JM23100124	BLADE FLANGE	1				
081		JM00000612	SLIDING ARM ASSY	1				
082		JM00000477	WING NUT M10	1				
083		JM23100010	FLAT WASHER 10	1				
084		JM00000478	KNOB BOLT M6X20	1				
085		JM00000479	COMPRESSION SPRING 9X18	1				
086		JM23100009	HEX LOCK NUT M10	1				
087		JM23100010	FLAT WASHER 10	1				
088		JM23100010	FLAT WASHER 10	1				
089		JM00000480	KNOB NUT M5	1				
090		JM00000481	COMPRESSION SPRING 10X32	1				
091		JM00000608	BEVEL STEP STOPPER BOLT M5X18	1				
092		JM00000482	BEVEL SCALE POINTER	1				
093		JM23100016	FLAT WASHER 4	1				
094		JM23100065	PAN HEAD SCREW M4X8	1				
095		JM00000607	HEX SOCKET SCREW ROD M10X120	1				
096		JM23000015	HEX NUT M10	1				
097		JM00000501	CORD REEL HOOK	1				
098		JM00000500	CORD CLIP	1				
099		JM00000499	BIG FLAT WASHER 5	1				
100		JM00000498	PAN HEAD SCREW M5X16	1				
101		JM00000517	STEPPED PAN HEAD SCREW M6X10	1				
102		JM23100094	WAVE WASHER 8	1				
103		JM00000516	CUTTING DEPTH ADJUSTABLE PLATE	1				
104		JM00000515	H.S.H. SPECIAL BOLT M10X10	1				
105		JM23100150	SEALING RING	1				
106		JM00000496	LOCK PIN	1				
107		JM00000501	CORD REEL HOOK	1				
108		JM00000500	CORD CLIP	1				
109		JM00000499	BIG FLAT WASHER 5	1				
110		JM00000498	PAN HEAD SCREW M5X16	1				
111		JM00000605	TURN TABLE COMPLETE	1				
	D10		INC. 112					
112		JM00000606	SUPPORT ARM SCALE LABEL	1				
113		JM00000467	CONNECTION SHAFT BOLT M10X20	1				
114		JM00000603	HEX SOCKET HEAD BOLT M8X40	1				
115		JM23000028	HEX. NUT M8	1				
116		JM23000028	HEX. NUT M8	1				
117		JM00000603	HEX SOCKET HEAD BOLT M8X40	1				
118		JM00000468	HEX BOLT M10X45	1				
119		JM00000453	SLIDING FOOT	5				
120		JM00000476	KERF BOARD	2				
121		JM23100033	PAN HEAD SCREW M4X12	6				
122		JM2318A067	CAUTION LABEL	1				
123		JM2318A074	CAUTION LABEL	1				
124		JM23180069	CAUTION LABEL	1				
125		JM00000463	GRIP BOLT M10X244	1				
126		JM23100065	PAN HEAD SCREW M4X8	1				
127		JM23100016	FLAT WASHER 4	1				
128		JM00000465	TURN BASE POINTER	1				

A:

Interchange

O : Yes

X : No

&lt; : the new part can be substituted for the current.

&gt; : the current part can be substituted for the new.

S : Interchangeable as a set.

