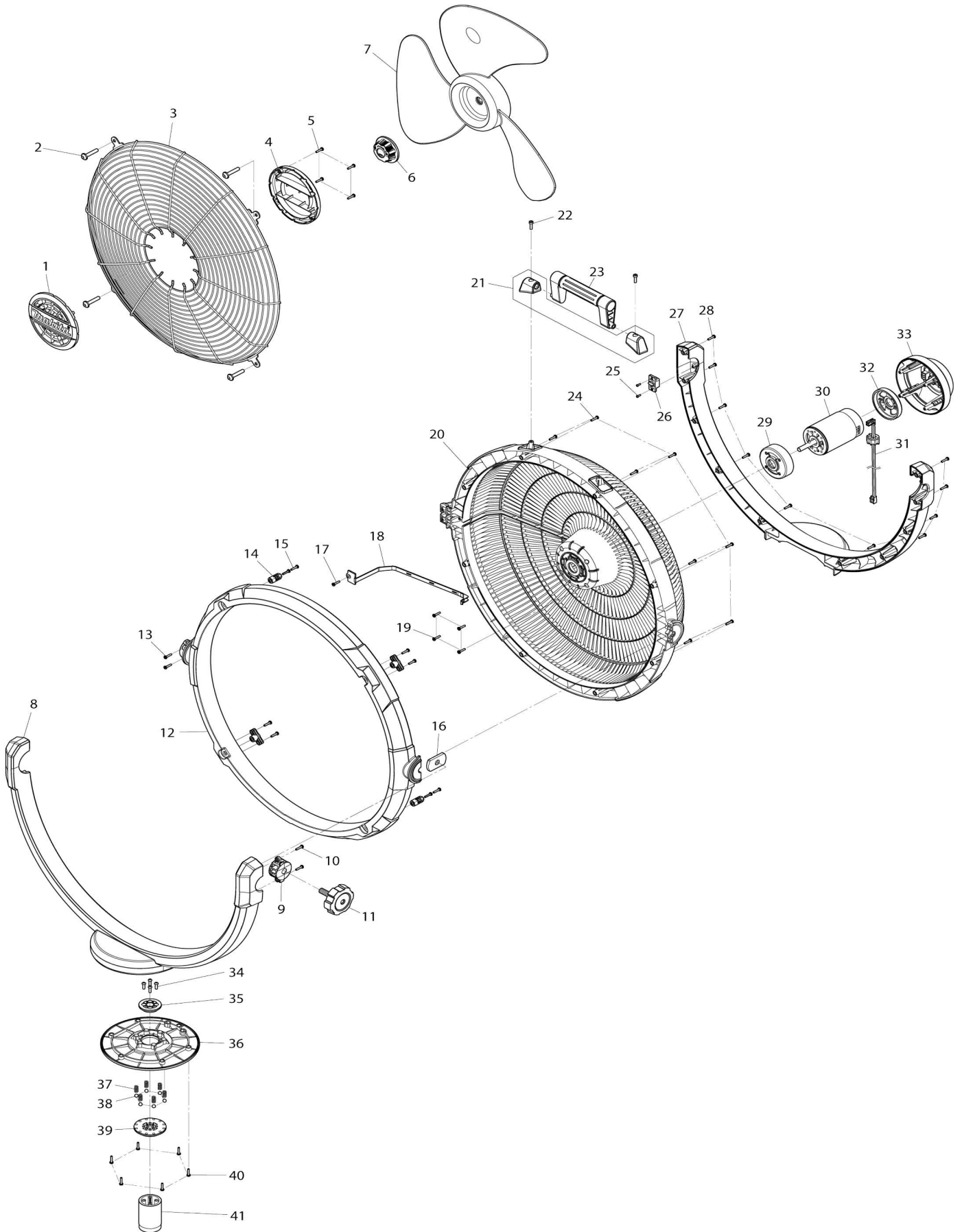
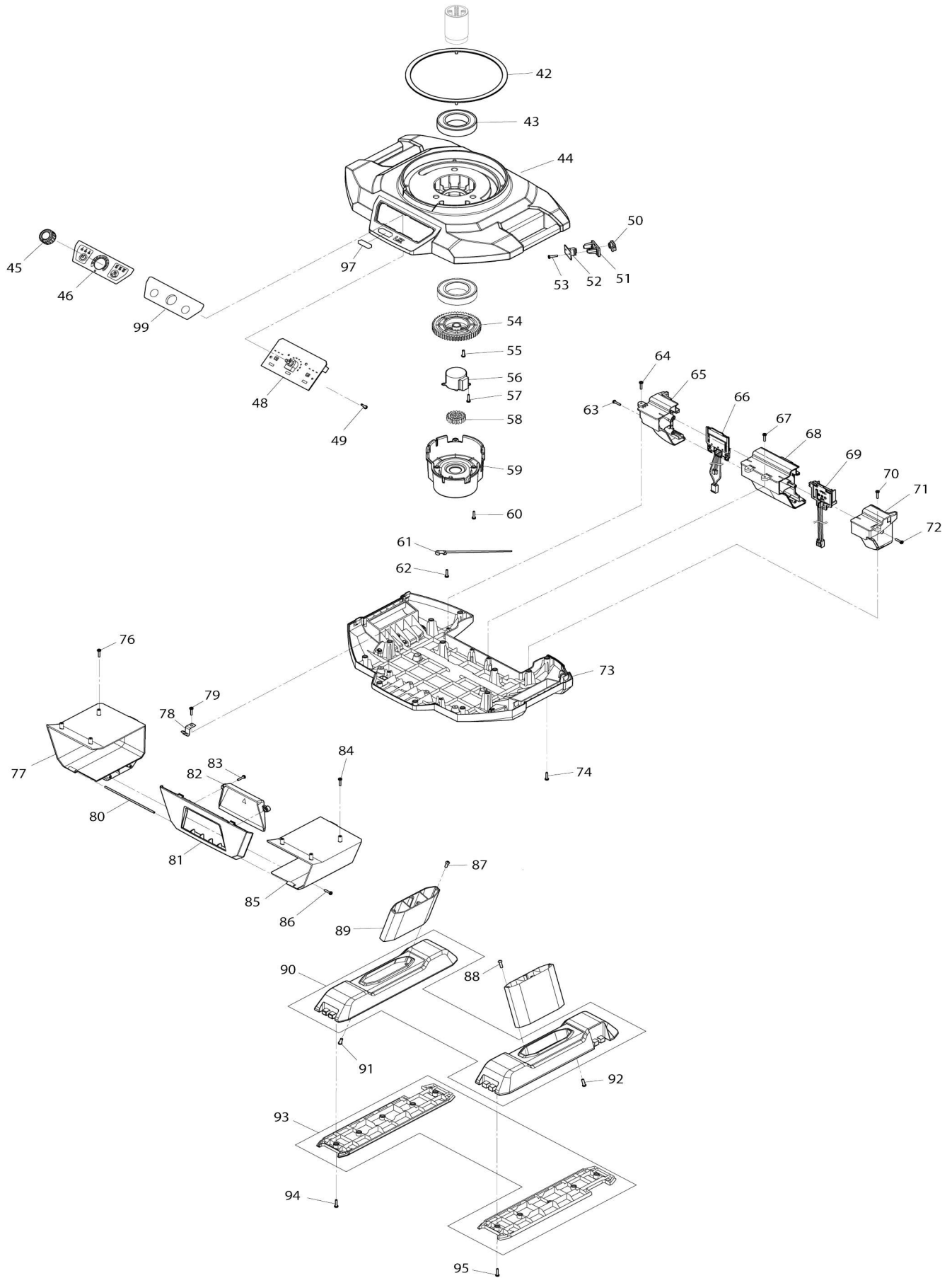


Model No.CF003G CORDLESS FAN



Model No.CF003G CORDLESS FAN



Model No.CF003G CORDLESS FAN

Artículo No.	No. de Partes	Descripción	Intercambilidad	Cantidad	Nuevo/Viejo	Nota 1	Nota 2
001	TE00000704	CENTER CAP FRONT		1			
002	TE00000706	PAN HEAD SCREW M5X20		4			
003	TE00000707	FRONT GUARD		1			
004	TE00000708	CENTER CAP REAR		1			
005	TE00000028	TAPPING SCREW 3X14		4			
006	TE00000709	BLADE FIXING TUB NUT M8 LH		1			
007	TE00000710	FAN BLADE 45		1			
008	TE00000711	FRONT SWINGING FLAME		1			
009	TE00000712	ANGLE ADJUSTER RING		1			
010	TE00000028	TAPPING SCREW 3X14		2			
011	TE00000713	TUB SCREW M10X31		1			
012	TE00000714	FRONT GUARD FIXING RING		1			
013	TE00000028	TAPPING SCREW 3X14		2			
014	TE00000715	FRONT GUARD FIXING NUT M5		4			
015	TE00000028	TAPPING SCREW 3X14		8			
016	TE00000716	RECTANGLE NUT M10		1			
017	TE00000028	TAPPING SCREW 3X14		1			
018	TE00000717	WIRING COVER FOR REAR GUARD		1			
019	TE00000028	TAPPING SCREW 3X14		4			
020	TE00000718	REAR GUARD		1			
021	TE00000719	HANDLE HOLDER L/R SET		1			
022	TE00000720	HEX SOCKET HEAD TAPPING SCREW		2			
023	TE00000721	HANDLE		1			
024	TE00000028	TAPPING SCREW 3X14		8			
025	TE00000203	SELF-TAPPING SCREW 2.5X8 PARA CF100D		2			
026	TE00000722	POM SMALL FASTENER 1		1			
027	TE00000723	REAR SWINGING FLAME		1			
028	TE00000028	TAPPING SCREW 3X14		10			
029	TE00000724	FRONT MOTOR MOUNT		1			
030	TE00000725	DC MOTOR ASSY		1			
031	TE00000726	LEAD WIRE ASSY(MOTOR-PCB)		1			
032	TE00000727	REAR MOTOR MOUNT		1			
033	TE00000728	MOTOR HOUSING		1			
034	TE00000729	PAN HEAD SCREW M4X12		4			
035	TE00000730	TURN TABLE BASE		1	*		
035-1	TE00000730	TURN TABLE BASE	O	1	*		
035-2	TE00000733	FIX RING FOR TURN TABLE	X	1			
036	TE00000731	TURN TABLE		1			
037	TE00000732	COMPRESSION SPRING 6		6			
038	TE00000063	BOLA DE ACERO 6 P/DCF300		6			
039	TE00000733	FIX RING FOR TURN TABLE		1	*		
039-1	TE00000733	FIX RING FOR TURN TABLE	O	1	*		
039-2	TE00000730	TURN TABLE BASE	X	1			
040	TE00000028	TAPPING SCREW 3X14		6			
041	TE00000734	SWING SHAFT		1			

042	TE00000735	TURN TABLE RING		1		
043	TE00000736	BALL BEARING 6008ZZ		2		
044	TE00000737	UPPER CONTROLLER HOUSING		1		
045	TE00000738	KNOB FOR SPEED CONTROL		1		
046	TE00000740	LABEL FOR SWITCH PANEL		1		
048	TE00000742	PCB		1		
049	TE00000388	SCREW 3X10		4		
050	TE00000743	DC SOCKET COVER		1		
051	TE00000744	DC SOCKET PANEL		1		
052	TE00000745	DC SOCKET		1		
053	TE00000028	TAPPING SCREW 3X14		2		
054	TE00000746	GEAR 54		1		
055	TE00000729	PAN HEAD SCREW M4X12		4		
056	TE00000747	MOTOR ASSY FOR SWINGING		1	*	
056-1	TE00000818	MOTOR ASSY FOR SWINGING	O	1		
057	TE00000028	TAPPING SCREW 3X14		2		
058	TE00000748	GEAR 20		1		
059	TE00000749	SWING UNIT HOUSING		1		
060	TE00000028	TAPPING SCREW 3X14		3		
061	TE00000418	CABLE TIE		1		
062	TE00000028	TAPPING SCREW 3X14		1		
063	TE00000028	TAPPING SCREW 3X14		2		
064	TE00000028	TAPPING SCREW 3X14		1		
065	TE00000750	BATTERY HOLDER LEFT		1		
066	TE00000751	BATTERY TERMINAL(LXT)		1		
067	TE00000028	TAPPING SCREW 3X14		2		
068	TE00000752	BATTERY HOLDER CENTER		1		
069	TE00000753	BATTERY TERMINAL(XGT)		1		
070	TE00000028	TAPPING SCREW 3X14		1		
071	TE00000754	BATTERY HOLDER RIGHT		1		
072	TE00000028	TAPPING SCREW 3X14		2		
073	TE00000755	LOWER CONTROLLER HOUSING		1		
074	TE00000028	TAPPING SCREW 3X14		12		
076	TE00000028	TAPPING SCREW 3X14		3		
077	TE00000767	ACCESSORY BOX LEFT SIDE		1		
078	TE00000768	ACCESSORY BOX LID STOPPER		2		
079	TE00000028	TAPPING SCREW 3X14		2		
080	TE00000769	HINGE ROD FOR ACCESSORY BOX		1		
081	TE00000770	ACCESSORY BOX LID OUTER PANEL		1		
082	TE00000771	ACCESSORY BOX LID CENTER PANEL		1		
083	TE00000028	TAPPING SCREW 3X14		2		
084	TE00000028	TAPPING SCREW 3X14		3		
085	TE00000772	ACCESSORY BOX RIGHT SIDE		1		
086	TE00000028	TAPPING SCREW 3X14		2		
087	TE00000773	TAPPING SCREW 4X10		4		
088	TE00000773	TAPPING SCREW 4X10		4		
089	TE00000774	ALUMINUM LEG		2		
090	TE00000775	UPPER FOOTS SET		1		
091	TE00000773	TAPPING SCREW 4X10		3		

092	TE00000773	TAPPING SCREW 4X10		3		
093	TE00000776	LOWER FOOTS SET		1		
094	TE00000028	TAPPING SCREW 3X14		5		
095	TE00000028	TAPPING SCREW 3X14		5		
096	TE00000822	SWITCH NUT		1		
097	TE00000580	XGT LABEL		1		
098	TE00000823	WASHER 7		1		
099	TE00000741	SWITCH PANEL		1	*	
099-1	TE00000820	SWITCH PANEL	S	1		
A01	TE00000793	AC ADAPTER IN:100-240V OUT:1 3V		1	*	
A01-1	TE00000814	AC ADAPTER IN:100-240V OUT:1 3V	X	1		
A02	TE00000783	POWER SUPPLY CORD NEMA		1		

Por favor declare No. de Partes cuando ordene.

Fecha de Impresión 21/01/2025