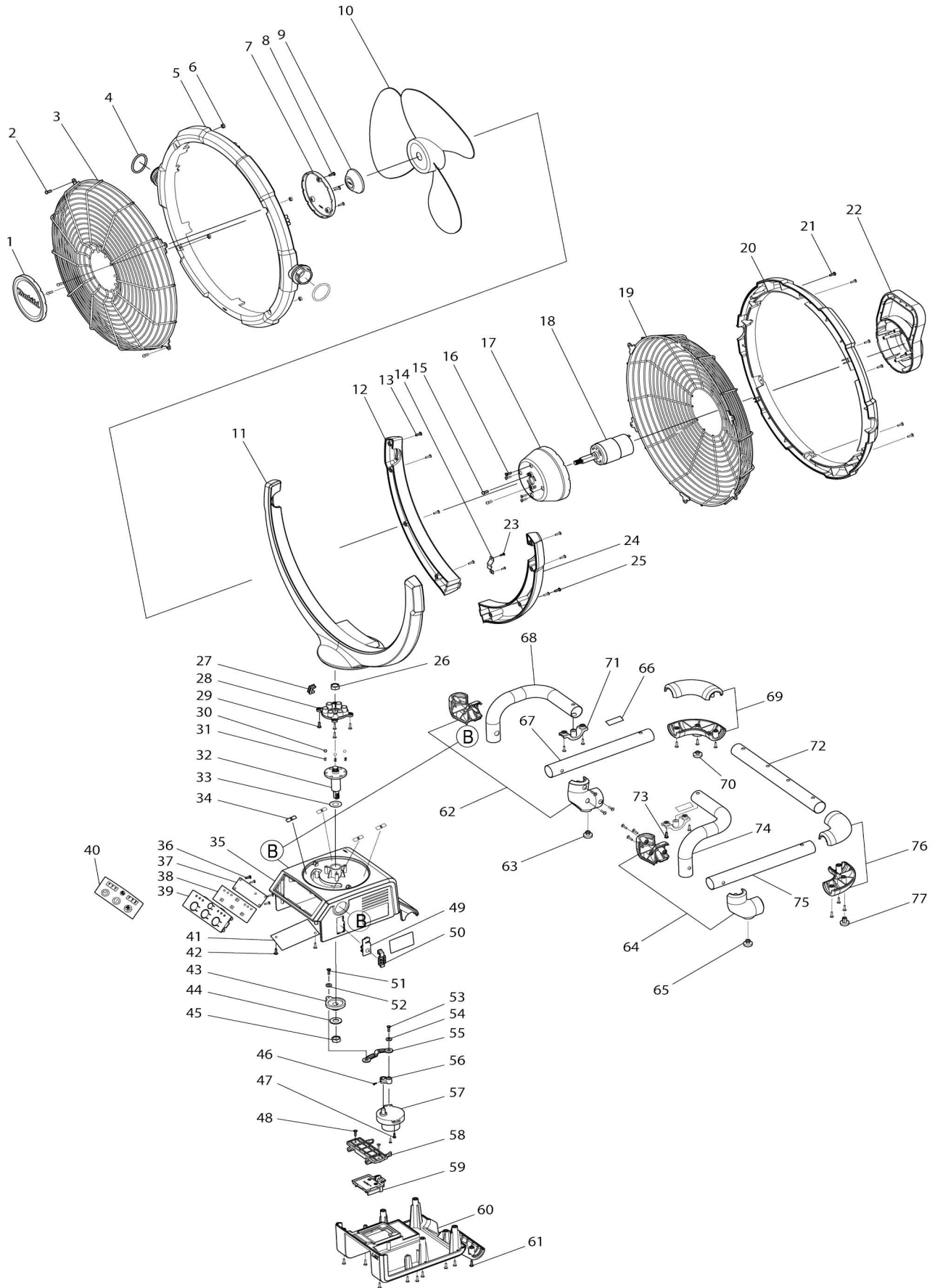


Model No.DCF300 CORDLESS FAN



Model No.DCF300 CORDLESS FAN

Artículo No.	No. de Partes	Descripción	Intercambibilidad	Cantidad	Nuevo/Viejo	Nota 1	Nota 2
001	TE00000046	LOGO FRONT PLATE		1			
002	TE00000101	PHILLIPS HEAD SCREW M4X10		4			
003	TE00000047	FRONT GUARD		1			
004	TE00000048	O-RING 32		2			
005	TE00000049	FRONT FRAME		1			
006	TE00000092	NUT M4		4			
007	TE00000050	LOGO REAR PLATE		1			
008	TE00000104	SCREW B 3X10		3			
009	TE00000051	FAN BLADE LOCK		1			
010	TE00000052	FAN BLADE		1	*		
010-1	TE00000701	FAN BLADE	O	1			
011	TE00000053	FRONT ARM		1			
012	TE00000054	REAR ARM R		1			
013	TE00000103	SCREW A 3X14		4			
014	TE00000055	LEAF SPRING		1			
015	TE00000101	PHILLIPS HEAD SCREW M4X10		2			
016	TE00000103	SCREW A 3X14		4			
017	TE00000056	MOTOR FRONT COVER		1			
018	TE00000057	MOTOR P/DCF300		1	*		
018-1	TE00000509	MOTOR ASSY	<	1			
018-1		INC. 79					
019	TE00000058	REAR GUARD		1			
020	TE00000059	REAR FRAME		1			
021	TE00000103	SCREW A 3X14		6			
022	TE00000060	MOTOR REAR COVER		1			
023	TE00000104	SCREW B 3X10		2			
024	TE00000100	REAR ARM L		1			
025	TE00000103	SCREW A 3X14		4			
026	TE00000069	LOCKNUT M10		1			
027	TE00000061	PROTECTOR DE ALAMBRE P/DCF300		1			
028	TE00000062	COPLER P/DCF300		1			
029	TE00000103	SCREW A 3X14		4			
030	TE00000063	BOLA DE ACERO 6 P/DCF300		3			
031	TE00000064	RESORTE DE COMPRESION P/DCF300		3			
032	TE00000065	SPINDLE		1			
033	TE00000090	POM FLAT WASHER 16		1			
034	TE00000089	POM PLATE		4	*		
034-1	TE00000474	PLACA POM P/ CF001G - CF101D - DCF102 - DCF203 - DCF300	O	4			
035	TE00000066	UPPER BASE		1			
036	TE00000104	SCREW B 3X10		4			
037	TE00000088	ASIEN TO DEL INTERRUPTOR P/DCF300		1			
038	TE00000154	PLACA DEL INTERRUPTOR P/DCF300		1	*		
038-1	TE00000479	SWITCH PCB BOARD	O	1			
039	TE00000067	PANEL DEL INTERRUPTOR P/DCF		1			

		300				
040	TE00000093	LABEL		1		
041	TE00000086	TARJETA P/DCF300		1	*	
041-1	TE00000475	TARJETA P/DCF300	O	1		
042	TE00000103	SCREW A 3X14		2		
043	TE00000068	FLANGE		1		
044	TE00000091	FLAT WASHER 10		1		
045	TE00000069	LOCKNUT M10		1		
046	TE00000102	PHILLIPS HEAD SCREW M3X14		1		
047	TE00000105	SCREW C 3X14		2		
048	TE00000103	SCREW A 3X14		2		
049	TE00000070	ADAPTOR PLATE		1		
050	TE00000071	ROBBER CAP		1		
051	TE00000104	SCREW B 3X10		1		
052	TE00000087	FLAT WASHER 3		1		
053	TE00000104	SCREW B 3X10		1		
054	TE00000087	FLAT WASHER 3		1		
055	TE00000072	LINK A		1		
056	TE00000073	LINK B		1		
057	TE00000155	SUB MOTOR		1		
058	TE00000075	TERMINAL HOLDER		1		
059	TE00000076	TERMINAL +WIRE		1	*	
059-1	TE00000315	TERMINAL WITH WIRE	O	1		
060	TE00000077	LOWER BOSE		1		
061	TE00000103	SCREW A 3X14		9		
062	TE00000079	FRONT JOINT L		1		
063	TE00000084	FOOT B		1		
064	TE00000078	FRONT JOINT R		1		
065	TE00000084	FOOT B		1		
066	TE00000097	RUBBER SEAL		8		
067	TE00000094	SIDE STEEL PIPE		1		
068	TE00000095	STEEL PIPE R		1		
069	TE00000082	REAR JOINT		1		
070	TE00000083	FOOT A		1		
071	TE00000080	PIPE HOLDER		2		
072	TE00000081	REAR STEEL PIPE		1		
073	TE00000103	SCREW A 3X14		16		
074	TE00000096	STEEL PIPE L		1		
075	TE00000094	SIDE STEEL PIPE		1		
076	TE00000082	REAR JOINT		1		
077	TE00000083	FOOT A		1		
078	TE00000323	NUT M3		1		
079	TE00000507	MOTOR CONNECTION WIRE		1		
A01	TE00000110	ADAPTER		1	*	
A01-1	TE00000171	AC ADAPTOR	O	1		

Por favor declare No. de Partes cuando ordene.

Fecha de Impresión 21/01/2025