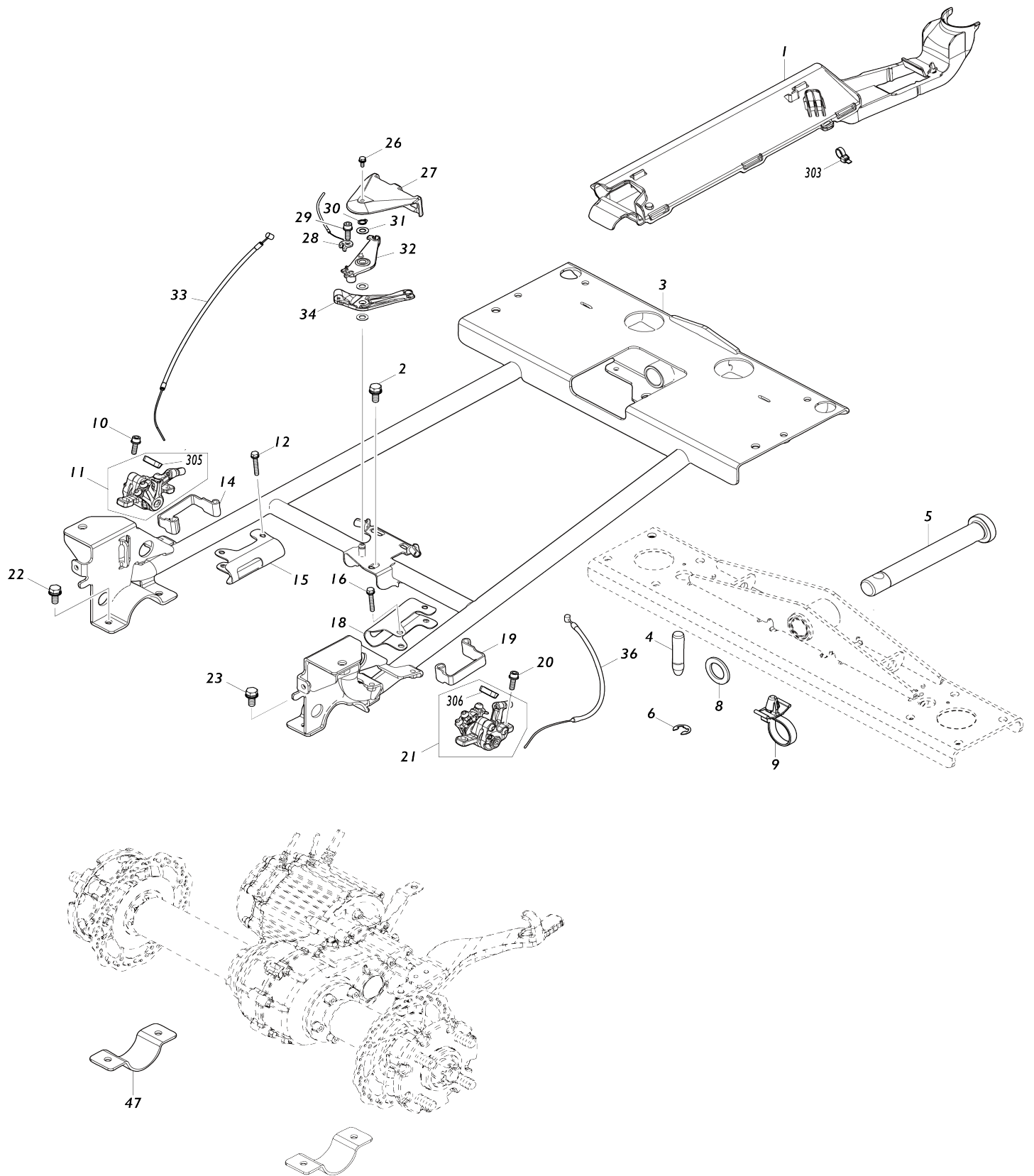
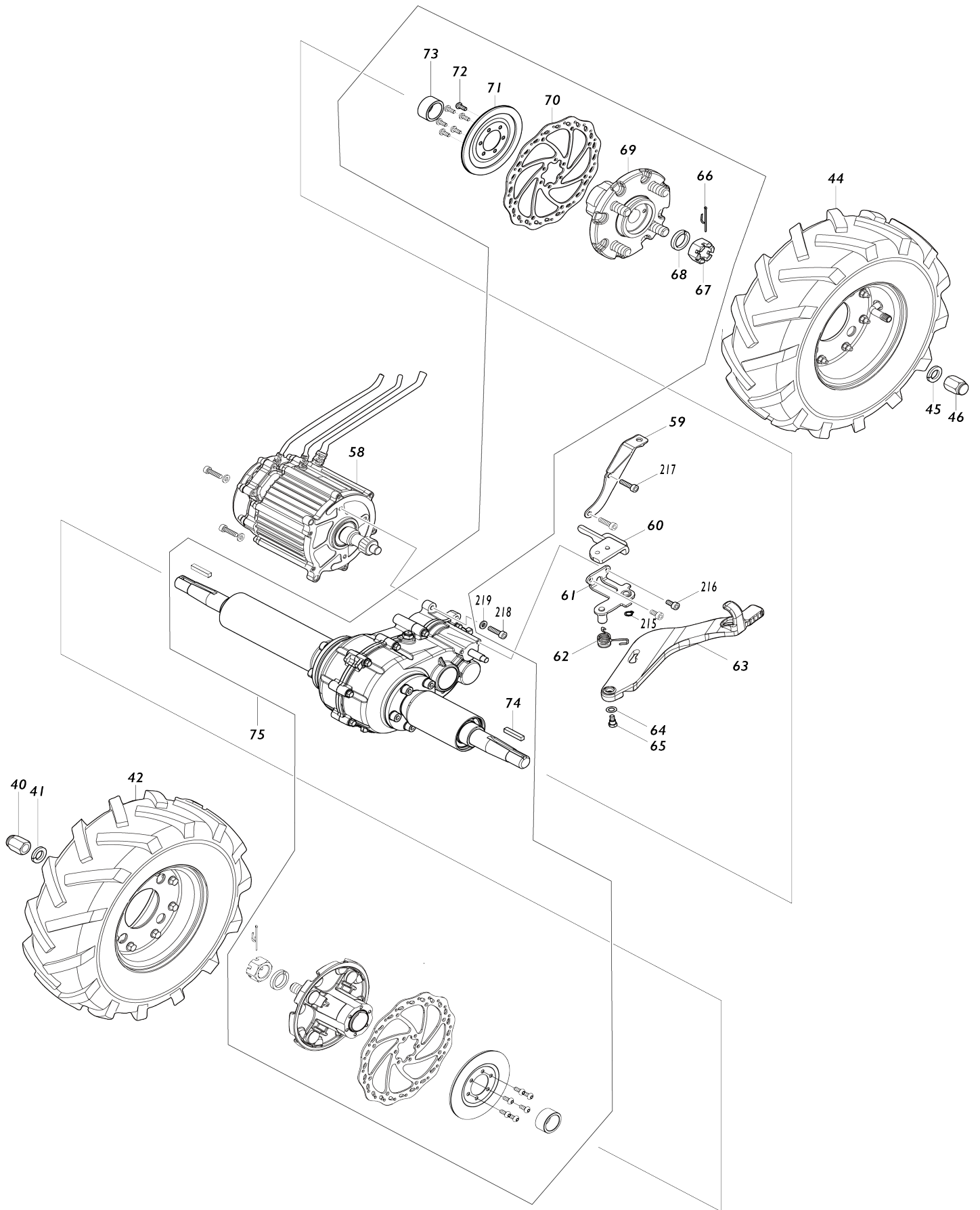


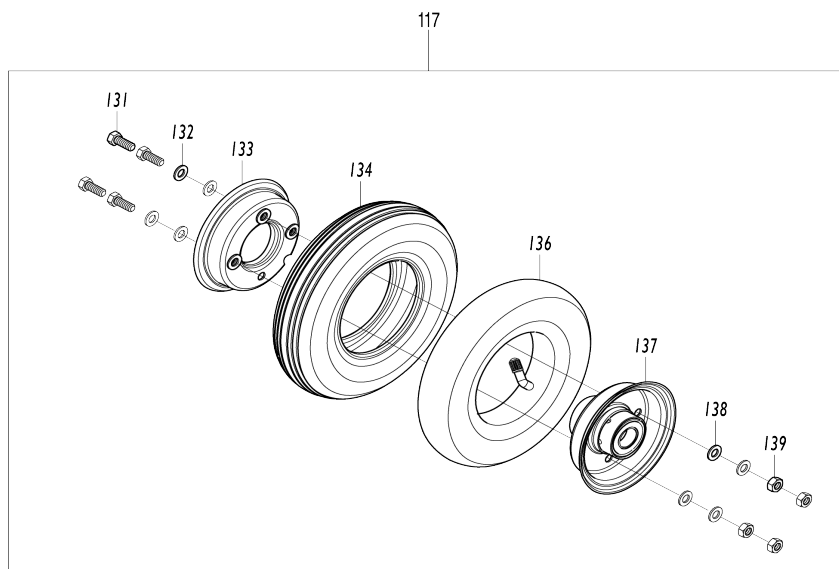
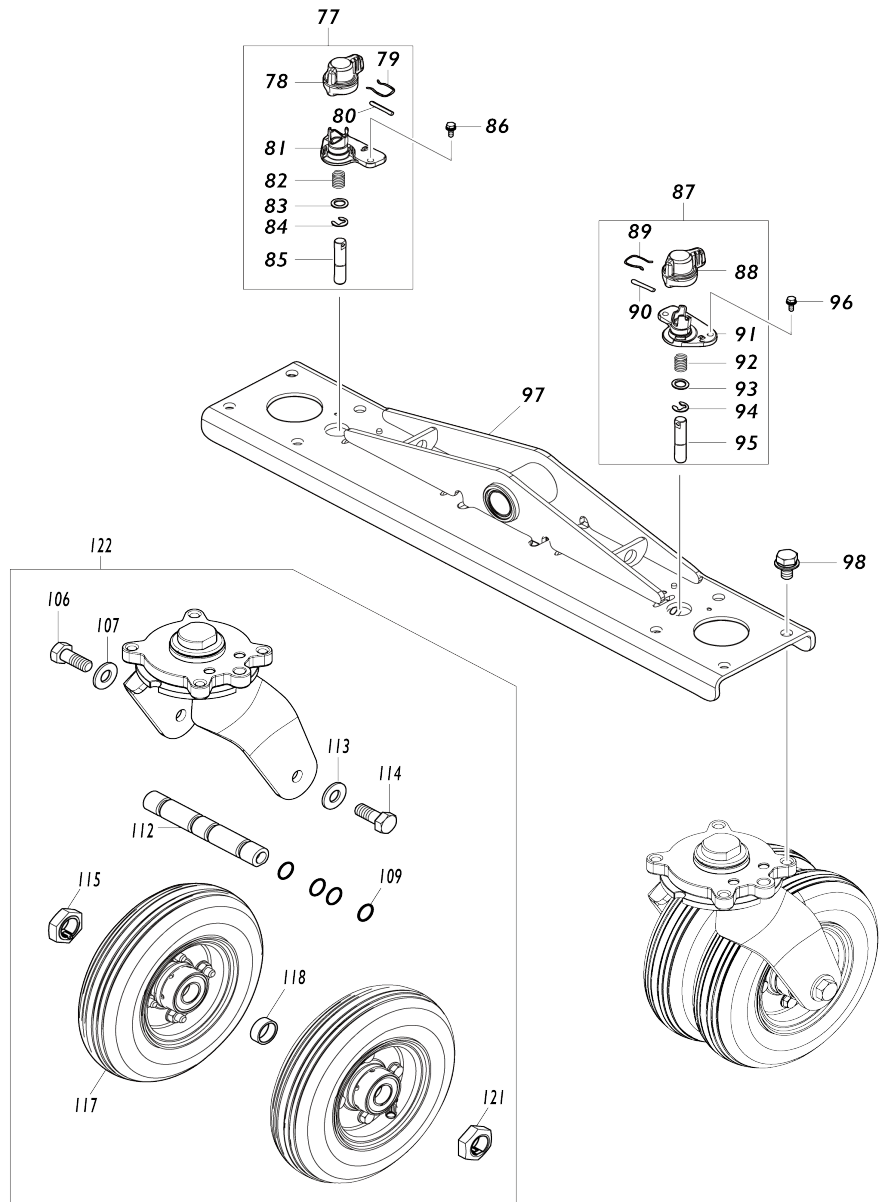
# Model No.DCU605 BATTERY POWERED WHEELBARROW



# Model No.DCU605 BATTERY POWERED WHEELBARROW

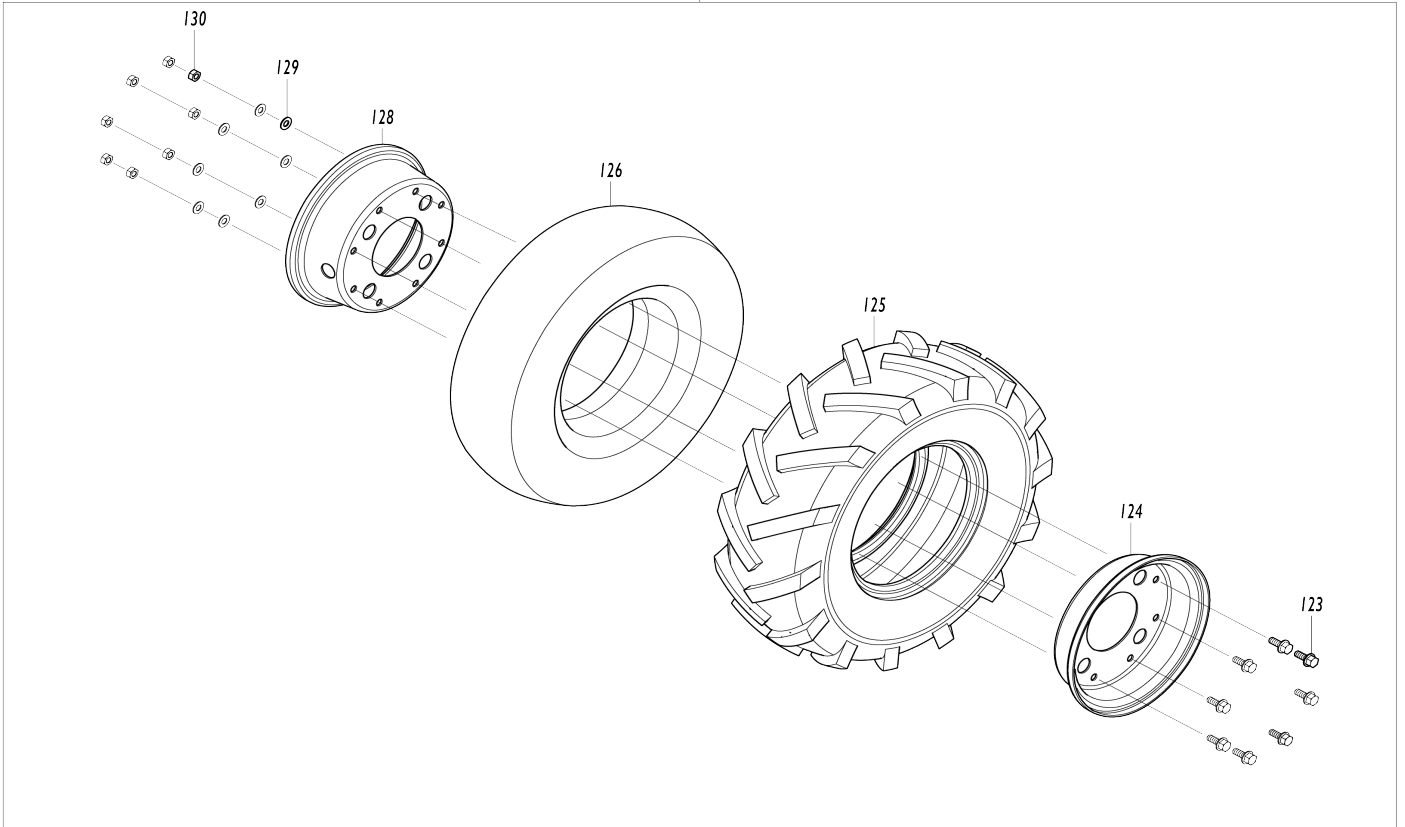


# Model No.DCU605 BATTERY POWERED WHEELBARROW

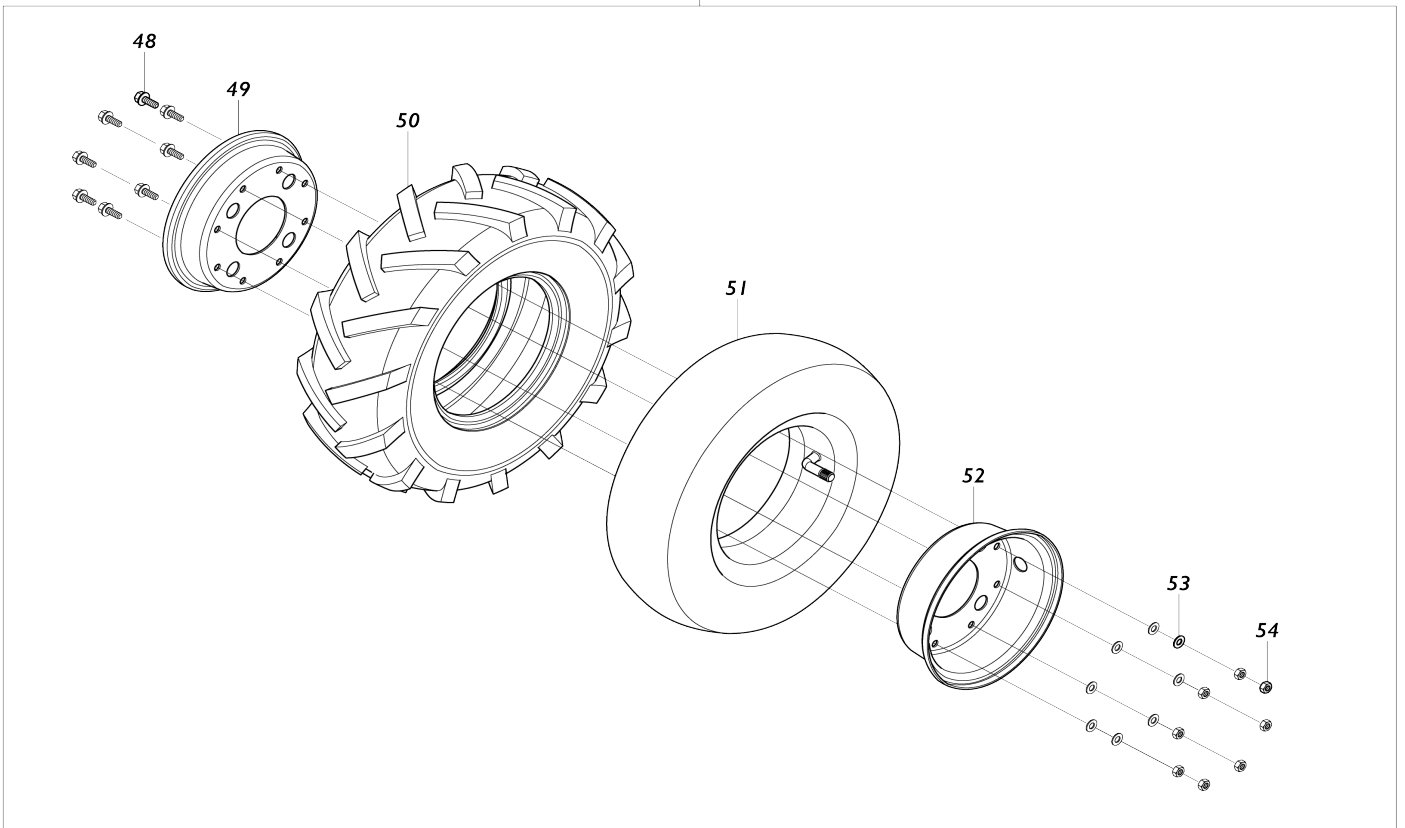


# Model No.DCU605 BATTERY POWERED WHEELBARROW

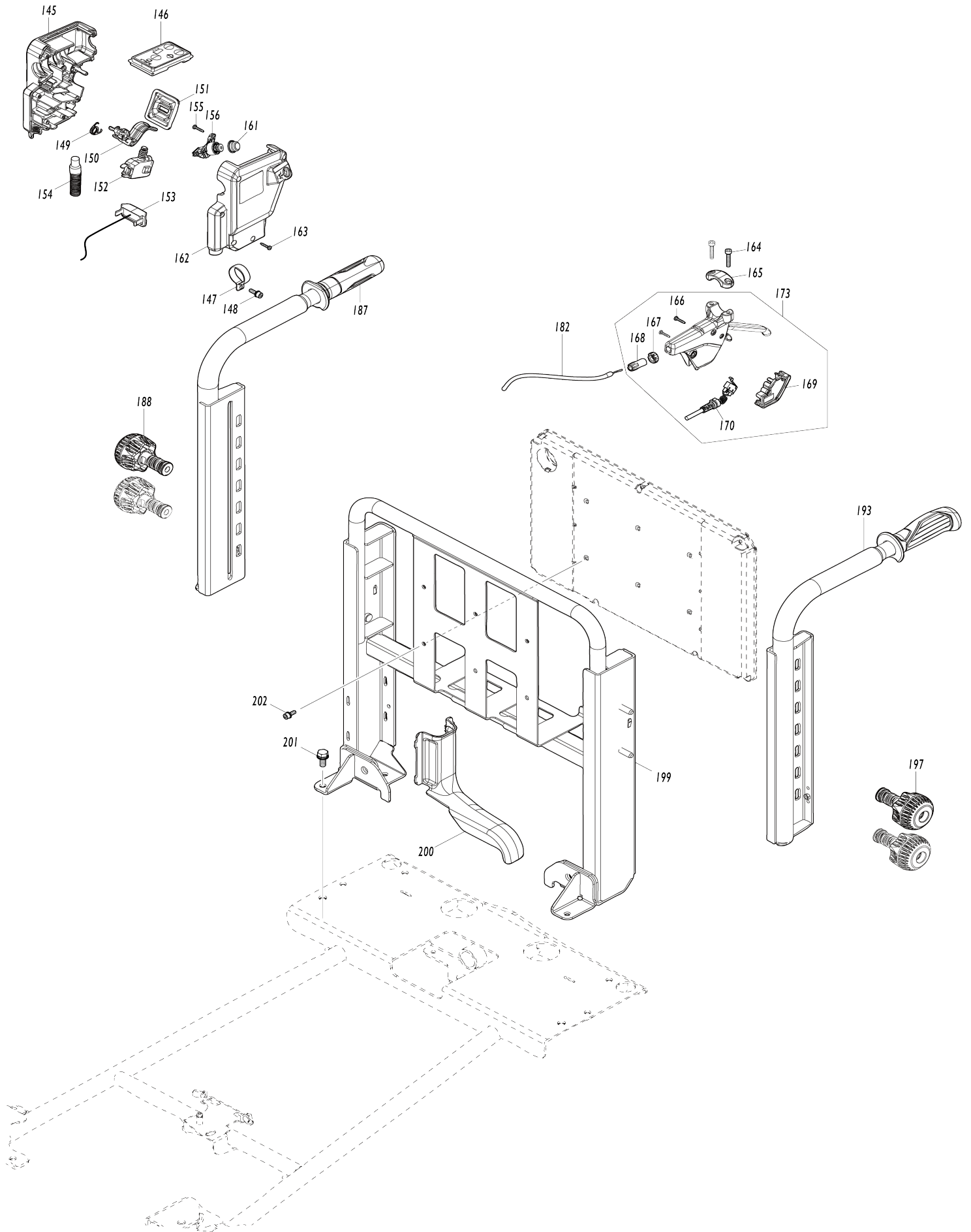
42



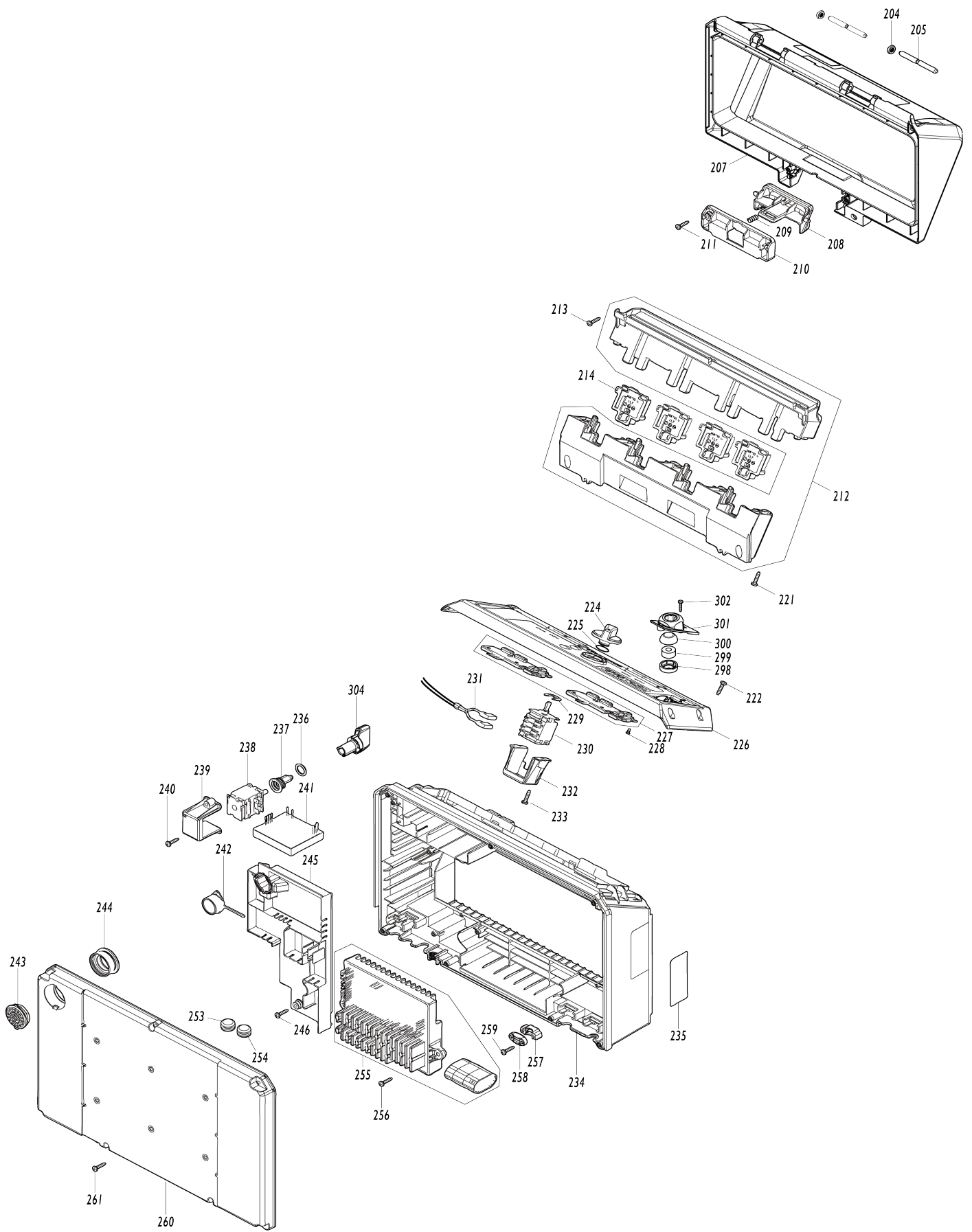
44



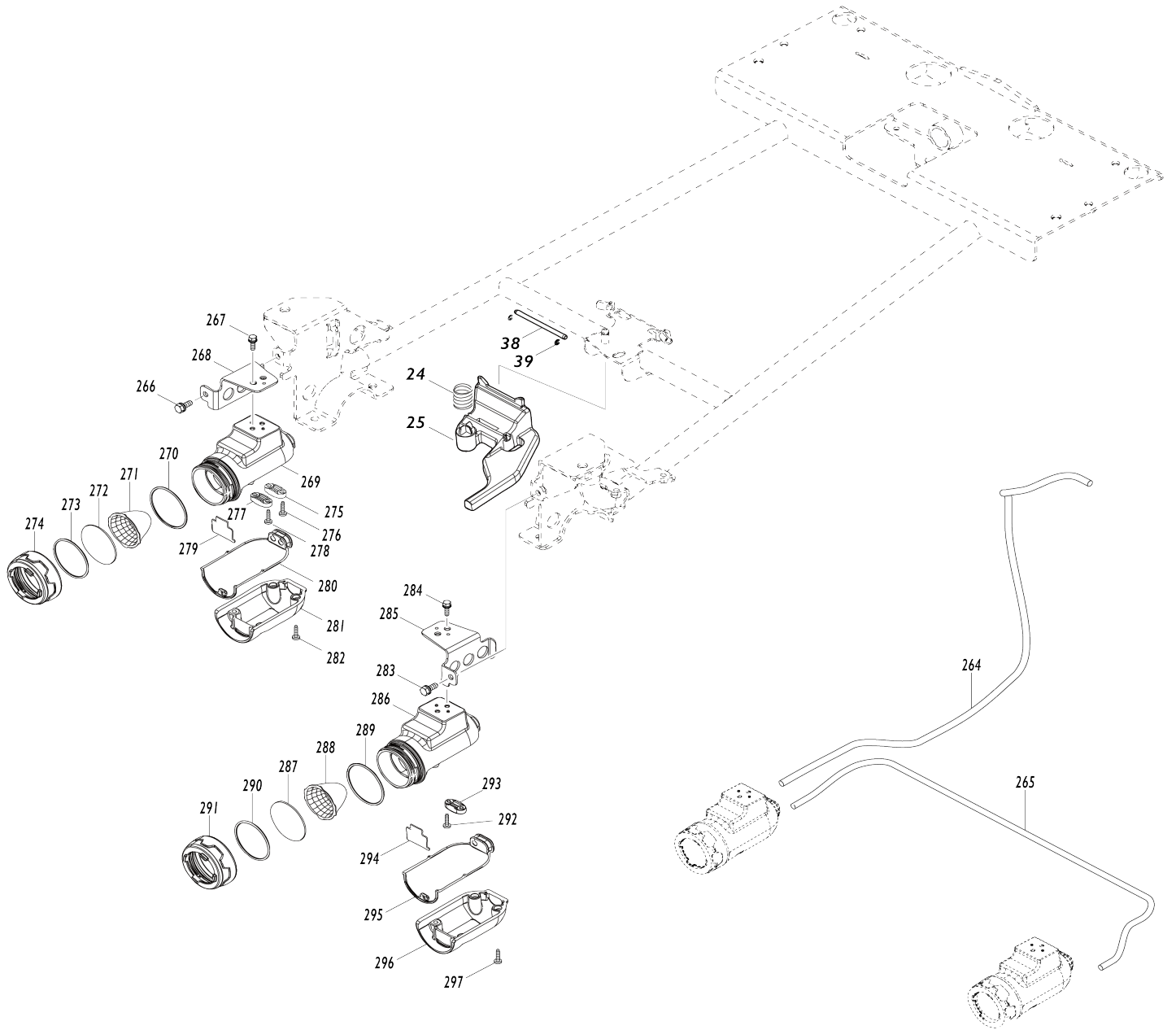
# Model No.DCU605 BATTERY POWERED WHEELBARROW



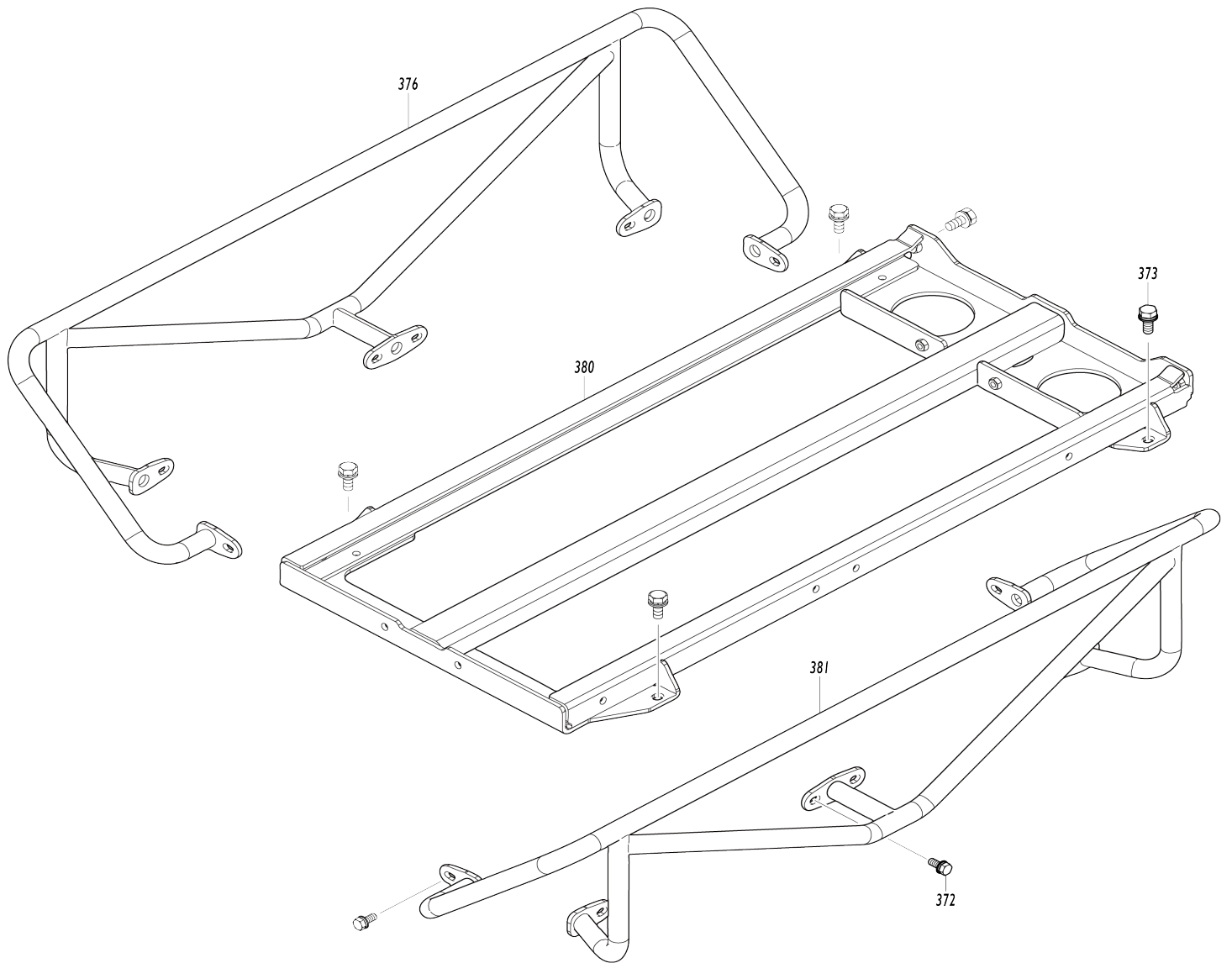
# Model No.DCU605 BATTERY POWERED WHEELBARROW



# Model No.DCU605 BATTERY POWERED WHEELBARROW

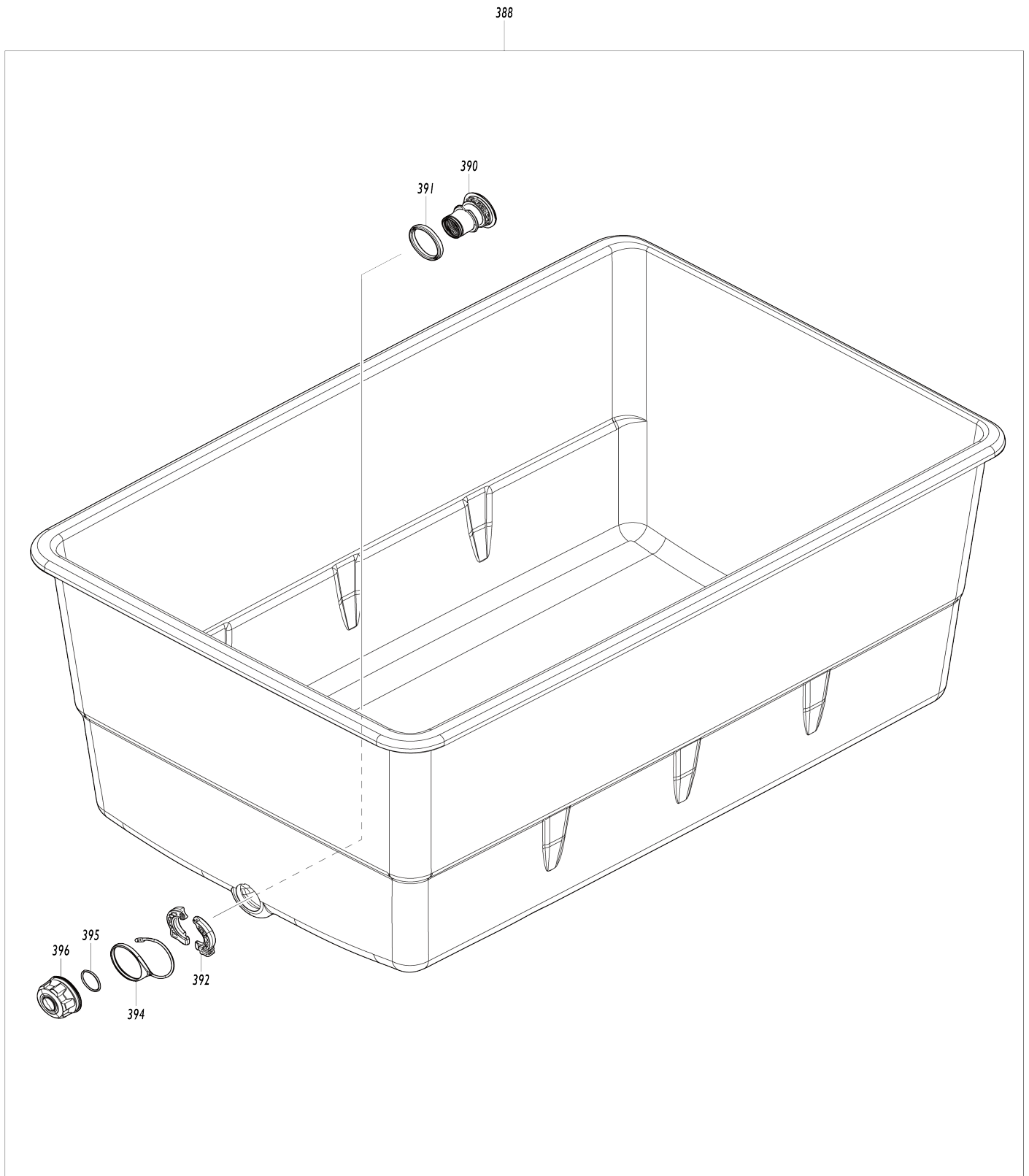


Model No.DCU605 BATTERY POWERED WHEELBARROW





Model No.DCU605 BATTERY POWERED WHEELBARROW



**Model No.DCU605 BATTERY POWERED WHEELBARROW**

| Artículo No. | No. de Partes | Descripción                              | Intercambialidad | Cantidad | Nuevo/Viejo | Nota 1 | Nota 2 |
|--------------|---------------|--|------------------|----------|-------------|--------|--------|
| 001          | 412561-2      | Cubierta del cable                       |                  | 1        |             |        |        |
| 002          | 265B11-6      | Perno de cabeza hexagonal M8X 20 WR      |                  | 1        |             |        |        |
| 003          | 141P49-8      | Cuadro principal completo                |                  | 1        |             |        |        |
| C10          | 8064B2-0      | INDICATION LABEL                         |                  | 1        |             |        |        |
| 004          | 256940-2      | Pasador 14                               |                  | 1        |             |        |        |
| 005          | 327472-7      | Eje de base 25                           |                  | 1        |             |        |        |
| 006          | 961062-2      | Anillo de tope (EXT) E-12                |                  | 1        |             |        |        |
| 008          | 261163-9      | Arandela de goma 25                      |                  | 1        |             |        |        |
| 009          | 687F01-7      | Banda                                    |                  | 1        |             |        |        |
| 010          | 265D23-1      | Perno de cabeza hueca hexagonal M6X22 GM |                  | 2        |             |        |        |
| 011          | 136868-9      | BRAKE CALIPER R ASS'Y                    |                  | 1        |             |        |        |
| 011          |               | INC. 305                                 |                  |          |             |        |        |
| 012          | 265C76-4      | Perno de cabeza hexagonal M5X 35 WR      |                  | 2        |             |        |        |
| 014          | 347993-3      | Espátula                                 |                  | 1        |             |        |        |
| 015          | 347995-9      | Abrazadera R                             |                  | 1        |             |        |        |
| 016          | 265C76-4      | Perno de cabeza hexagonal M5X 35 WR      |                  | 2        |             |        |        |
| 018          | 347994-1      | Abrazadera L                             |                  | 1        |             |        |        |
| 019          | 347993-3      | Espátula                                 |                  | 1        |             |        |        |
| 020          | 265D23-1      | Perno de cabeza hueca hexagonal M6X22 GM |                  | 2        |             |        |        |
| 021          | 136869-7      | BRAKE CALIPER L ASS'Y                    |                  | 1        |             |        |        |
| 021          |               | INC. 306                                 |                  |          |             |        |        |
| 022          | 265B11-6      | Perno de cabeza hexagonal M8X 20 WR      |                  | 2        |             |        |        |
| 023          | 265B11-6      | Perno de cabeza hexagonal M8X 20 WR      |                  | 2        |             |        |        |
| 024          | 232737-3      | Resorte de compresión 19                 |                  | 1        |             |        |        |
| 025          | 413D27-9      | Bloqueo de la palanca neutral            |                  | 1        |             |        |        |
| 026          | 265C46-3      | Perno de cabeza hexagonal M4X 12 WG      |                  | 1        |             |        |        |
| 027          | 413D28-7      | Cubierta de ecualizador de freno         |                  | 1        |             |        |        |
| 028          | 347629-4      | Abrazadera del cable                     |                  | 1        |             |        |        |
| 029          | 265B14-0      | Perno de cabeza hueca hexagonal M6X20 WR |                  | 1        |             |        |        |
| 030          | 961004-6      | Anillo de retención (EXT) S-8            |                  | 1        |             |        |        |
| 031          | 253165-9      | Arandela plana 8                         |                  | 3        |             |        |        |
| 032          | 319906-4      | Ecualizador de freno R                   |                  | 1        |             |        |        |
| 033          | 140P25-9      | Cable de freno 370                       |                  | 1        |             |        |        |
| 034          | 319905-6      | Ecualizador de freno L                   |                  | 1        |             |        |        |
| 036          | 140P25-9      | Cable de freno 370                       |                  | 1        |             |        |        |
| 038          | 256A03-0      | Soporte de la cuchilla 4.5               |                  | 1        |             |        |        |
| 039          | 961017-7      | Anillo de tope (EXT) E-3                 |                  | 2        |             |        |        |
| 040          | 252289-8      | Tuerca del tapón hexagonal M14           |                  | 4        |             |        |        |
| 041          | 253475-4      | Arandela de presión 14                   |                  | 4        |             |        |        |
| 042          | 141G99-9      | Conjunto de 330 R llanta                 |                  | 1        |             |        |        |
| 042          |               | INC. 123-126,128-130                     |                  |          |             |        |        |

|     |            |  |    |  |  |
|-----|------------|--|----|--|--|
| 044 | 141H00-0   | Conjunto de 330 L llanta                       | 1  |  |  |
| 044 |            | INC. 48-54                                     |    |  |  |
| 045 | 253475-4   | Arandela de presión 14                         | 4  |  |  |
| 046 | 252289-8   | Tuerca del tapón hexagonal M14                 | 4  |  |  |
| 047 | 347621-0   | Abrazadera 57                                  | 2  |  |  |
| 048 | 265C39-0   | Perno de brida de cabeza hexagonal M6X16       | 8  |  |  |
| 049 | 347950-1   | Rueda 150                                      | 1  |  |  |
| 050 | 422857-3   | Neumático 330                                  | 1  |  |  |
| 051 | 162B39-4   | Entubado 330                                   | 1  |  |  |
| C10 | GQ00000001 | VALVE CAP M8                                   | 1  |  |  |
| 052 | 347949-6   | Rueda 150                                      | 1  |  |  |
| 053 | 253551-4   | Arandela plana 6                               | 8  |  |  |
| 054 | 252308-0   | Tuerca hexagonal M6-10                         | 8  |  |  |
| 058 | 122E51-4   | Montaje motriz                                 | 1  |  |  |
| 059 | 347698-5   | Abrazadera del diferencial                     | 1  |  |  |
| 060 | 347A16-3   | Palanca neutral                                | 1  |  |  |
| 061 | 347697-7   | Sujetador de la palanca neutral                | 1  |  |  |
| 062 | 232616-5   | Resorte de torsión 14                          | 1  |  |  |
| 063 | 413D41-5   | Palanca de cambio neutral                      | 1  |  |  |
| 064 | 253430-6   | Arandela plana 8                               | 1  |  |  |
| 065 | 265465-5   | Perno de cabeza hexagonal con reborde M6X13.2  | 1  |  |  |
| 066 | NP00000001 | SPLIT PIN 3-35                                 | 2  |  |  |
| 067 | NP00000002 | HEX. NUT M20                                   | 2  |  |  |
| 068 | NP00000003 | SPRING WASHER 22                               | 2  |  |  |
| 069 | 313304-4   | Maza   | 2  |  |  |
| 070 | 347208-8   | Disco de freno                                 | 2  |  |  |
| 071 | 141P62-6   | Placa completa                                 | 2  |  |  |
| 072 | 265C87-9   | Perno de cabeza de botón hueco hexagonal M5X12 | 12 |  |  |
| 073 | 327626-6   | Manguito 25                                    | 2  |  |  |
| 074 | NP00000004 | KEY 6  | 2  |  |  |
| 075 | 122D22-5   | Unidad de engranaje del diferencial            | 1  |  |  |
| 075 |            | INC. 66-74                                     |    |  |  |
| 077 | 122C29-5   | Montaje de bloqueo R de giro                   | 1  |  |  |
| 077 |            | INC. 78-85                                     |    |  |  |
| 078 | 413D33-4   | Palanca de bloqueo                             | 1  |  |  |
| 079 | 327938-7   | Retenedor a presión                            | 1  |  |  |
| 080 | 268181-8   | Pasador 3                                      | 1  |  |  |
| 081 | 413D32-6   | Guía del elevador R                            | 1  |  |  |
| 082 | 232617-3   | Resorte de compresión 10                       | 1  |  |  |
| 083 | 253173-0   | Arandela plana 10                              | 1  |  |  |
| 084 | 961013-5   | Anillo de tope (EXT) E-7                       | 1  |  |  |
| 085 | 256A04-8   | Pasador 10                                     | 1  |  |  |
| 086 | 265C46-3   | Perno de cabeza hexagonal M4X12 WG             | 2  |  |  |
| 087 | 122C28-7   | Montaje de bloqueo L de giro                   | 1  |  |  |
| 087 |            | INC. 88-95                                     |    |  |  |
| 088 | 413D33-4   | Palanca de bloqueo                             | 1  |  |  |
| 089 | 327938-7   | Retenedor a presión                            | 1  |  |  |
| 090 | 268181-8   | Pasador 3                                      | 1  |  |  |

|       |            |   |   |   |   |  |
|-------|------------|---|---|---|---|--|
| 091   | 413D31-8   | Guía del elevador L                         |   | 1 |   |  |
| 092   | 232617-3   | Resorte de compresión 10                    |   | 1 |   |  |
| 093   | 253173-0   | Arandela plana 10                           |   | 1 |   |  |
| 094   | 961013-5   | Anillo de tope (EXT) E-7                    |   | 1 |   |  |
| 095   | 256A04-8   | Pasador 10                                  |   | 1 |   |  |
| 096   | 265C46-3   | Perno de cabeza hexagonal M4X<br>12 WG      |   | 2 |   |  |
| 097   | 162712-4   | Base trasera                                |   | 1 |   |  |
| 098   | 265B13-2   | Perno de cabeza hexagonal M10<br>X20 WG     |   | 8 |   |  |
| 106   | 265B10-8   | Perno de cabeza hexagonal M12<br>X40        |   | 1 |   |  |
| 107   | 253460-7   | Arandela plana 13                           |   | 1 |   |  |
| 109   | 213211-0   | Anillo o-ring 15                            |   | 4 | * |  |
| 109-1 | 213A73-2   | Anillo o-ring 15                            | O | 4 |   |  |
| 112   | 327646-0   | Eje 20                                      |   | 1 |   |  |
| 113   | 253460-7   | Arandela plana 13                           |   | 1 |   |  |
| 114   | 265B10-8   | Perno de cabeza hexagonal M12<br>X40        |   | 1 |   |  |
| 115   | 136835-4   | HEX. SLEEVE 20 ASS'Y                        |   | 1 |   |  |
| C10   | 263027-3   | Pasador de goma 4                           |   | 1 |   |  |
| 117   | 141H01-8   | Conjunto de 210 llanta                      |   | 2 |   |  |
| 117   |            | INC. 131-134,136-139                        |   |   |   |  |
| 118   | 257498-4   | Anillo 20                                   |   | 1 |   |  |
| 121   | 136835-4   | HEX. SLEEVE 20 ASS'Y                        |   | 1 |   |  |
| C10   | 263027-3   | Pasador de goma 4                           |   | 1 |   |  |
| 122   | 127457-1   | Conjunto de 210 la rueda                    |   | 2 |   |  |
| 122   |            | INC. 106,107,109,112-115,                   |   |   |   |  |
| 122   |            | INC. 117,118,121                            |   |   |   |  |
| 123   | 265C39-0   | Perno de brida de cabeza hexagonal<br>M6X16 |   | 8 |   |  |
| 124   | 347950-1   | Rueda 150                                   |   | 1 |   |  |
| 125   | 422857-3   | Neumático 330                               |   | 1 |   |  |
| 126   | 162B39-4   | Entubado 330                                |   | 1 |   |  |
| C10   | GQ00000001 | VALVE CAP M8                                |   | 1 |   |  |
| 128   | 347949-6   | Rueda 150                                   |   | 1 |   |  |
| 129   | 253551-4   | Arandela plana 6                            |   | 8 |   |  |
| 130   | 252308-0   | Tuerca hexagonal M6-10                      |   | 8 |   |  |
| 131   | 265C40-5   | Perno de cabeza hexagonal M8X<br>20         |   | 4 |   |  |
| 132   | 253552-2   | Arandela plana 8                            |   | 4 |   |  |
| 133   | 347952-7   | Rueda 100                                   |   | 1 |   |  |
| 134   | 422860-4   | Neumático 210                               |   | 1 |   |  |
| 136   | 162B40-9   | Entubado 210                                |   | 1 |   |  |
| C10   | GQ00000001 | VALVE CAP M8                                |   | 1 |   |  |
| 137   | 347951-9   | Rueda 100                                   |   | 1 |   |  |
| 138   | 253552-2   | Arandela plana 8                            |   | 4 |   |  |
| 139   | 252309-8   | Tuerca hexagonal M8-13                      |   | 4 |   |  |
| 145   | 183X90-3   | SWITCH BOX SET                              |   | 1 |   |  |
| C10   | 8065A9-5   | CAUTION LABEL                               |   | 1 |   |  |
| 145   |            | INC. 162                                    |   |   |   |  |
| 146   | 140P26-7   | Circuito de interruptor completo            |   | 1 |   |  |
| C10   | 183X57-1   | SWITCH PLATE SET                            |   | 1 |   |  |
|       |            |   |   |   |   |  |

|     |          |   |   |  |  |
|-----|----------|---|---|--|--|
| C20 | 266490-9 | Tornillo enroscante de cabeza ap lanada 2X6   | 3 |  |  |
| 147 | 346249-1 | Abrazadera para tubo 28                       | 1 |  |  |
| 148 | 265A97-4 | Perno de cabeza hueca hexagon al M5X16 WR     | 1 |  |  |
| 149 | 232738-1 | Resorte de torsión 11                         | 1 |  |  |
| 150 | 412206-2 | Palanca interruptora                          | 1 |  |  |
| 151 | 422554-1 | Cubierta de palanca                           | 1 |  |  |
| 152 | 651395-0 | Interruptor C3JW-6B-PA6N                      | 1 |  |  |
| 153 | 620C26-0 | Circuito led                                  | 1 |  |  |
| 154 | 699178-0 | Unidad del cable de conexión                  | 1 |  |  |
| 155 | 266130-9 | Tornillo enroscante con cabezal f ijador 3X16 | 2 |  |  |
| 156 | 122C26-1 | Conjunto del interruptor del zum bador        | 1 |  |  |
| C10 | 632T14-7 | Unidad de interruptor                         | 1 |  |  |
| 161 | 422555-9 | Tapa del interruptor                          | 1 |  |  |
| 162 | 183X90-3 | SWITCH BOX SET                                | 1 |  |  |
| C10 | 8065A9-5 | CAUTION LABEL                                 | 1 |  |  |
| 162 |          | INC. 145                                      |   |  |  |
| 163 | 266130-9 | Tornillo enroscante con cabezal f ijador 3X16 | 6 |  |  |
| 164 | 265C98-4 | Perno de cabeza hueca hexagon al M5X25        | 2 |  |  |
| 165 | 312C48-1 | Abrazadera 22                                 | 1 |  |  |
| 166 | 266130-9 | Tornillo enroscante con cabezal f ijador 3X16 | 2 |  |  |
| 167 | 312C44-9 | Tuerca de ajuste                              | 1 |  |  |
| 168 | 312C43-1 | Perno de ajuste                               | 1 |  |  |
| 169 | 413D25-3 | Sujetador del interruptor                     | 1 |  |  |
| 170 | 632T13-9 | Unidad de interruptor                         | 1 |  |  |
| 173 | 127458-9 | Conjunto de la palanca de freno               | 1 |  |  |
| 173 |          | INC. 166-170                                  |   |  |  |
| 182 | 140P23-3 | Cable de freno 1590                           | 1 |  |  |
| 187 | 140T47-3 | Mango completo R                              | 1 |  |  |
| 188 | 141H20-4 | Botón de bloqueo de mango                     | 2 |  |  |
| C10 | 232739-9 | Resorte de compresión 15                      | 2 |  |  |
| C20 | 313400-8 | Sujetador del resorte                         | 2 |  |  |
| 193 | 140P15-2 | Mango completo L                              | 1 |  |  |
| 197 | 141H20-4 | Botón de bloqueo de mango                     | 2 |  |  |
| C10 | 232739-9 | Resorte de compresión 15                      | 2 |  |  |
| C20 | 313400-8 | Sujetador del resorte                         | 2 |  |  |
| 199 | 141N97-5 | Base de empuñadura completa                   | 1 |  |  |
| C10 | 8059G2-2 | INDICATION LABEL                              | 1 |  |  |
| 200 | 412562-0 | Cubierta de base del mango                    | 1 |  |  |
| 201 | 265B11-6 | Perno de cabeza hexagonal M8X 20 WR           | 4 |  |  |
| 202 | 265A96-6 | Perno de cabeza hueca hexagon al M5X14 WR     | 6 |  |  |
| 204 | 262206-0 | Anillo de goma 6                              | 2 |  |  |
| 205 | 256942-8 | Soporte de la cuchilla 6                      | 2 |  |  |
| 207 | 141K01-6 | Tapa de batería completa                      | 1 |  |  |
| C10 | 8048W7-5 | CAUTION LABEL                                 | 1 |  |  |
| C20 | 8059G1-4 | INDICATION LABEL                              | 1 |  |  |

|     |          |  |    |  |  |
|-----|----------|--|----|--|--|
| C30 | 816M70-5 | Etiqueta de operación                        | 1  |  |  |
| 208 | 412195-1 | Gancho de la tapa de la batería              | 1  |  |  |
| 209 | 231240-1 | Resorte de compresión 7                      | 1  |  |  |
| 210 | 412533-7 | Retenedor de gancho                          | 1  |  |  |
| 211 | 266326-2 | Tornillo enroscante con cabezal fijador 4X18 | 2  |  |  |
| 212 | 183V34-1 | TERMINAL CASE SET                            | 1  |  |  |
| C10 | 263005-3 | Pasador de goma 6                            | 8  |  |  |
| 213 | 266326-2 | Tornillo enroscante con cabezal fijador 4X18 | 5  |  |  |
| 214 | 644809-6 | Terminal                                     | 4  |  |  |
| 215 | 961004-6 | Anillo de retención (EXT) S-8                | 1  |  |  |
| 216 | 265C85-3 | Perno de cabeza hueca hexagonal M6X12        | 2  |  |  |
| 217 | 265C86-1 | Perno de cabeza hueca hexagonal M6X22        | 2  |  |  |
| 218 | 265C86-1 | Perno de cabeza hueca hexagonal M6X22        | 3  |  |  |
| 219 | 347A43-0 | Espaciador 6                                 | 3  |  |  |
| 221 | 266326-2 | Tornillo enroscante con cabezal fijador 4X18 | 5  |  |  |
| 222 | 266326-2 | Tornillo enroscante con cabezal fijador 4X18 | 4  |  |  |
| 224 | 412196-9 | Palanca de cambio                            | 1  |  |  |
| 225 | 213A15-6 | Anillo o-ring 14                             | 1  |  |  |
| 226 | 141L75-3 | Cubierta superior completa                   | 1  |  |  |
| C10 | 8048W3-3 | INDICATION LABEL                             | 1  |  |  |
| 227 | 620C24-4 | Circuito de indicación                       | 1  |  |  |
| 228 | 265C42-1 | Tornillo enroscante de cabeza aplastada 3X6  | 10 |  |  |
| 229 | 961062-2 | Anillo de tope (EXT) E-12                    | 1  |  |  |
| 230 | 651444-3 | Interruptor 1703.4703                        | 1  |  |  |
| 231 | 638A27-2 | Unidad principal                             | 1  |  |  |
| 232 | 451343-7 | Sujetador del interruptor                    | 1  |  |  |
| 233 | 266326-2 | Tornillo enroscante con cabezal fijador 4X18 | 2  |  |  |
| 234 | 412188-8 | Caja central                                 | 1  |  |  |
| 235 | 8118M7-8 | DCU605 NAME PLATE                            | 1  |  |  |
| 236 | 213A15-6 | Anillo o-ring 14                             | 1  |  |  |
| 237 | 413D29-5 | Articulación de clave                        | 1  |  |  |
| 238 | 650622-2 | Interruptor                                  | 1  |  |  |
| 239 | 451343-7 | Sujetador del interruptor                    | 1  |  |  |
| 240 | 266326-2 | Tornillo enroscante con cabezal fijador 4X18 | 2  |  |  |
| 241 | 620G67-0 | Controlador                                  | 1  |  |  |
| 242 | 620C25-2 | Circuito de sonido                           | 1  |  |  |
| 243 | 413D35-0 | Cubierta del zumbador                        | 1  |  |  |
| 244 | 422840-0 | Ojal   | 1  |  |  |
| 245 | 412194-3 | Caja interna                                 | 1  |  |  |
| 246 | 266326-2 | Tornillo enroscante con cabezal fijador 4X18 | 2  |  |  |
| 253 | 682114-3 | Ojal   | 1  |  |  |
| 254 | 682114-3 | Ojal   | 1  |  |  |
| 255 | 620D13-5 | Controlador                                  | 1  |  |  |
| 256 | 266326-2 | Tornillo enroscante con cabezal fijador 4X18 | 2  |  |  |

|     |          |  |  |   |  |  |
|-----|----------|--|--|---|--|--|
|     |          | ijador 4X18                                      |  |   |  |  |
| 257 | 687051-6 | Abrazadera para cable                            |  | 1 |  |  |
| 258 | 687124-5 | Abrazadera para cable                            |  | 1 |  |  |
| 259 | 266326-2 | Tornillo enroscante con cabezal f<br>ijador 4X18 |  | 2 |  |  |
| 260 | 412190-1 | Cubierta frontal                                 |  | 1 |  |  |
| 261 | 266326-2 | Tornillo enroscante con cabezal f<br>ijador 4X18 |  | 7 |  |  |
| 264 | 699180-3 | Unidad del cable de conexión                     |  | 1 |  |  |
| 265 | 699181-1 | Unidad del cable de conexión                     |  | 1 |  |  |
| 266 | 265B16-6 | Perno de cabeza hexagonal M6X<br>16 WR           |  | 1 |  |  |
| 267 | 265B17-4 | Perno de cabeza hexagonal M5X<br>16 WR           |  | 2 |  |  |
| 268 | 347622-8 | Estancia ligera R                                |  | 1 |  |  |
| 269 | 319594-7 | Faro   |  | 1 |  |  |
| 270 | 213656-2 | Anillo o-ring 53                                 |  | 1 |  |  |
| 271 | 457636-0 | Reflector  |  | 1 |  |  |
| 272 | 457634-4 | Lente  |  | 1 |  |  |
| 273 | 213604-1 | Anillo o-ring 50                                 |  | 1 |  |  |
| 274 | 457635-2 | Cubierta   |  | 1 |  |  |
| 275 | 687124-5 | Abrazadera para cable                            |  | 1 |  |  |
| 276 | 266034-5 | Tornillo enroscante con cabezal f<br>ijador 4X16 |  | 2 |  |  |
| 277 | 687124-5 | Abrazadera para cable                            |  | 1 |  |  |
| 278 | 266034-5 | Tornillo enroscante con cabezal f<br>ijador 4X16 |  | 2 |  |  |
| 279 | 620685-2 | Circuito led                                     |  | 1 |  |  |
| 280 | 422151-3 | Empaque  |  | 1 |  |  |
| 281 | 319595-5 | Tapa del faro                                    |  | 1 |  |  |
| 282 | 266034-5 | Tornillo enroscante con cabezal f<br>ijador 4X16 |  | 4 |  |  |
| 283 | 265B16-6 | Perno de cabeza hexagonal M6X<br>16 WR           |  | 1 |  |  |
| 284 | 265B17-4 | Perno de cabeza hexagonal M5X<br>16 WR           |  | 2 |  |  |
| 285 | 347623-6 | Estancia ligera L                                |  | 1 |  |  |
| 286 | 319594-7 | Faro   |  | 1 |  |  |
| 287 | 457634-4 | Lente  |  | 1 |  |  |
| 288 | 457636-0 | Reflector  |  | 1 |  |  |
| 289 | 213656-2 | Anillo o-ring 53                                 |  | 1 |  |  |
| 290 | 213604-1 | Anillo o-ring 50                                 |  | 1 |  |  |
| 291 | 457635-2 | Cubierta   |  | 1 |  |  |
| 292 | 266034-5 | Tornillo enroscante con cabezal f<br>ijador 4X16 |  | 2 |  |  |
| 293 | 687124-5 | Abrazadera para cable                            |  | 1 |  |  |
| 294 | 620685-2 | Circuito led                                     |  | 1 |  |  |
| 295 | 422166-0 | Empaque  |  | 1 |  |  |
| 296 | 319595-5 | Tapa del faro                                    |  | 1 |  |  |
| 297 | 266034-5 | Tornillo enroscante con cabezal f<br>ijador 4X16 |  | 4 |  |  |
| 298 | 413D37-6 | Caja de nivel                                    |  | 1 |  |  |
| 299 | 242101-0 | Indicador de nivel                               |  | 1 |  |  |
| 300 | 413D36-8 | Cubierta de nivel                                |  | 1 |  |  |
| 301 | 413D38-4 | Retenedor de nivel                               |  | 1 |  |  |

|     |          |  |    |  |  |  |
|-----|----------|--|----|--|--|--|
| 302 | 266130-9 | Tornillo enroscante con cabezal fijador 3X16 | 2  |  |  |  |
| 303 | 687F00-9 | Banda  | 1  |  |  |  |
| 304 | 413D30-0 | Llave  | 1  |  |  |  |
| 305 | 422961-8 | Retenedor de almohadilla                     | 1  |  |  |  |
| 306 | 422961-8 | Retenedor de almohadilla                     | 1  |  |  |  |
| 372 | 265B11-6 | Perno de cabeza hexagonal M8X 20 WR          | 12 |  |  |  |
| 373 | 265508-3 | Perno de cabeza hexagonal M10 X25            | 6  |  |  |  |
| 376 | 162724-7 | Protector del cajón plano                    | 1  |  |  |  |
| 380 | 162723-9 | Base de cajón plano                          | 1  |  |  |  |
| 381 | 162724-7 | Protector del cajón plano                    | 1  |  |  |  |
| 388 | 122C32-6 | Montaje de cajón plano 250                   | 1  |  |  |  |
| 388 |          | INC. 390-392,394-396                         |    |  |  |  |
| 390 | 413B67-5 | Boquilla G3/4                                | 1  |  |  |  |
| 391 | 422842-6 | Empaque 44                                   | 1  |  |  |  |
| 392 | 413D40-7 | Anillo de bloqueo                            | 2  |  |  |  |
| 394 | 413D39-2 | Correa                                       | 1  |  |  |  |
| 395 | 213412-0 | Anillo o-ring 29                             | 1  |  |  |  |
| 396 | 413B68-3 | Tapón 50                                     | 1  |  |  |  |
| 397 | 941201-0 | Arandela plana 8                             | 1  |  |  |  |
| F01 | 1911B3-6 | Conjunto de cajón plano                      | 1  |  |  |  |
| F02 | 1911K4-7 | Conjunto (individual) 330 de neumático       | 1  |  |  |  |
| F03 | 1911K5-5 | Conjunto (individual) 330 de neumático gris  | 1  |  |  |  |
| F04 | 1911K6-3 | Conjunto (individual) 210 de neumático gris  | 1  |  |  |  |

Por favor declare No. de Partes cuando ordene.

Fecha de Impresión 21/01/2025