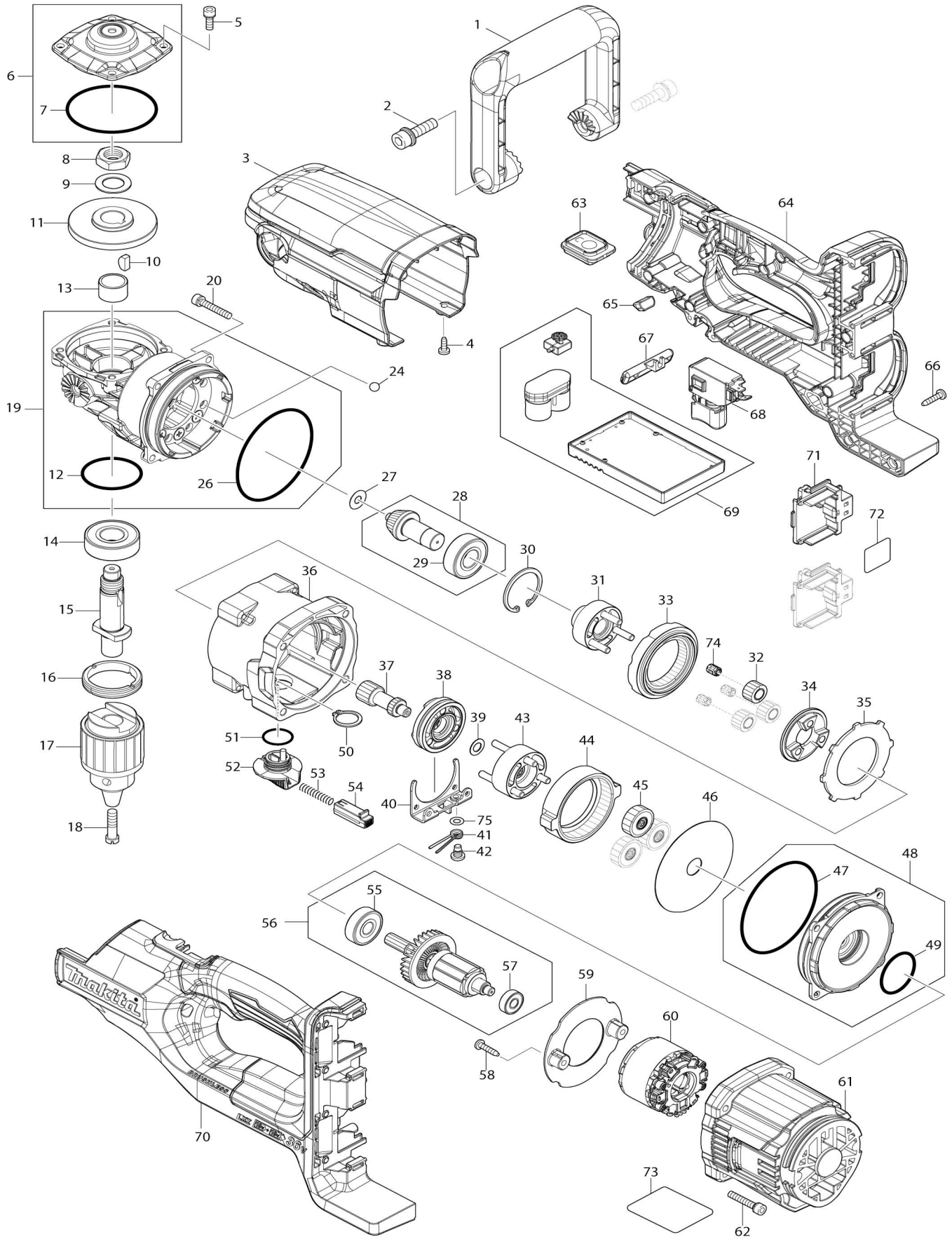


Model No.DDA460 CORDLESS ANGLE DRILL



Model No.DDA460 CORDLESS ANGLE DRILL

| Artículo No. | No. de Partes | Descripción | Intercambialidad | Cantidad | Nuevo/Viejo | Nota 1 | Nota 2 |
|--------------|---------------|---|------------------|----------|-------------|--------|--------|
| 001 | 458431-1 | Empuñadura delantera | | 1 | | | |
| 002 | 922453-2 | Perno de cabeza hueca hexagonal M8X30 WR | | 2 | | | |
| 003 | 458430-3 | Cubierta de parte superior | | 1 | | | |
| 004 | 266026-4 | Tornillo enroscante con cabezal fijador 4X12 | | 2 | | | |
| 005 | 266086-6 | Perno de cabeza hueca hexagonal M5X16 | | 4 | | | |
| 006 | 140A21-7 | Cubierta del carcasa del engranaje completo | | 1 | | | |
| 006 | | INC. 7 | | | | | |
| 007 | 213709-7 | Anillo o-ring 63 | | 1 | | | |
| 008 | 252182-6 | Tuerca hexagonal M16-22 | | 1 | * | | |
| 008-1 | 252267-8 | Tuerca hexagonal M16-22 | < | 1 | | | |
| 009 | 253771-0 | Arandela plana 16 | | 1 | | | |
| 010 | 254032-1 | Cuña de media luna 5 | | 1 | | | |
| 011 | 227416-6 | Engranaje espiral 40 | | 1 | * | | |
| 011-1 | 227920-5 | Engranaje espiral 40 | S | 1 | | | |
| 012 | 213507-9 | Anillo o-ring 40 | | 1 | | | |
| 013 | 257440-5 | Manguito 17 | | 1 | | | |
| 014 | 211278-2 | Rodamiento de balines 6203DDW | | 1 | | | |
| 015 | 327106-2 | Husillo | | 1 | | | |
| 016 | 285842-5 | Retén del rodamiento 36-43 | | 1 | | | |
| 017 | 763250-5 | Mandril de taladro S-13 | | 1 | | | |
| 018 | 251463-5 | Tornillo de cabeza plana ranurada M6X22 | | 1 | | | |
| 019 | 140A22-5 | Carcasa del engranaje completo | | 1 | | | |
| C10 | 233326-7 | Resorte de compresión 5 | | 8 | | | |
| C20 | 256393-5 | Pasador con cabeza 5-8.5 | | 8 | | | |
| C30 | 347364-4 | Placa guía | | 1 | | | |
| C40 | 265148-7 | Tornillo de cabeza embutida hexalobular hueco M5X14 | | 6 | | | |
| 019 | | INC. 12,26 | | | | | |
| 020 | 265695-8 | Perno de cabeza hueca hexagonal M5X30 WRM | | 4 | * | | |
| 020-1 | 265D08-7 | Perno de cabeza hueca hexagonal M5X30 WRM | O | 4 | * | | |
| 020-2 | 265D24-9 | Perno de cabeza hueca hexagonal M5X30 WRM | O | 4 | | | |
| 024 | 216022-2 | Bola de acero 7.0 | | 8 | | | |
| 026 | 213755-0 | Anillo o-ring 75 | | 1 | | | |
| 027 | 253411-0 | Arandela plana 6 | | 1 | | | |
| 028 | 140A23-3 | Engranaje cónico en espiral completo 13 | | 1 | * | | |
| 028 | | INC. 29 | | | * | | |
| 028-1 | 136563-1 | Montaje del engranaje cónico 13 en espiral | S | 1 | | | |
| 028-1 | | INC. 29 | | | | | |
| 029 | 211206-7 | Rodamiento de balines 6202LLB | | 1 | * | | |
| 029-1 | 210306-0 | BALL BEARING 6202 LLB | O | 1 | | | |

| | | | | | | |
|-------|----------|--|---|---|---|--|
| 030 | 962153-2 | Anillo de retención (INT) R-35 | | 1 | | |
| 031 | 140A13-6 | Acarreador completo A | | 1 | | |
| 032 | 226176-7 | Engranaje recto 13 | | 3 | | |
| 033 | 226177-5 | Engranaje interno 40 | | 1 | | |
| 034 | 223188-1 | Leva | | 1 | | |
| 035 | 347365-2 | Arandela 65 | | 1 | | |
| 036 | 140A16-0 | Caja de engranajes completa | | 1 | | |
| 037 | 226175-9 | Engranaje recto 14 | | 1 | | |
| 038 | 310876-0 | Anillo de cambio | | 1 | | |
| 039 | 253215-0 | Arandela plana 8 | | 1 | | |
| 040 | 347366-0 | Guía de cambio | | 1 | | |
| 041 | 231657-8 | Resorte de torsión 6 | | 1 | | |
| 042 | 265628-3 | Tornillo con reborde de cabezal fijador M5 | | 1 | | |
| 043 | 140A14-4 | Acarreador completo B | | 1 | | |
| 044 | 226174-1 | Engranaje interno 71 | | 1 | | |
| 045 | 140A12-8 | Engranaje recto completo 29 | | 3 | | |
| 046 | 253412-8 | Arandela plana 15 | | 1 | | |
| 047 | 213755-0 | Anillo o-ring 75 | | 1 | | |
| 048 | 140A20-9 | Soporte del motor completo | | 1 | | |
| 048 | | INC. 47,49 | | | | |
| 049 | 213406-5 | Anillo o-ring 30 | | 1 | | |
| 050 | 961058-3 | Anillo de retención (EXT) S-18 | | 1 | | |
| 051 | 213265-7 | Anillo o-ring 17 | | 1 | | |
| 052 | 458433-7 | Palanca de cambio | | 1 | | |
| 053 | 233279-0 | Resorte de compresión 4 | | 1 | | |
| 054 | 458434-5 | Botón de bloqueo | | 1 | | |
| 055 | 211087-9 | Rodamiento de balines 6200DDW | | 1 | * | |
| 055-1 | 210320-6 | BALL BEARING 6200DDW | > | 1 | | |
| 056 | 519525-8 | Montaje del rotor | | 1 | | |
| 056 | | INC. 55,57 | | | | |
| 057 | 211022-7 | Rodamiento de balines 607ZZ | | 1 | | |
| 058 | 266326-2 | Tornillo enroscante con cabezal fijador 4X18 | | 2 | * | |
| 058-1 | 265A48-7 | Tornillo de enrosque 4X18 | O | 2 | | |
| 059 | 458427-2 | Placa deflectora | | 1 | | |
| 060 | 629356-8 | Estator | | 1 | * | |
| 060-1 | 629B69-3 | Estator | S | 1 | | |
| 061 | 458426-4 | Carcasa del motor | | 1 | | |
| 062 | 265695-8 | Perno de cabeza hueca hexagonal M5X30 WRM | | 4 | * | |
| 062-1 | 265D08-7 | Perno de cabeza hueca hexagonal M5X30 WRM | O | 4 | * | |
| 062-2 | 265D24-9 | Perno de cabeza hueca hexagonal M5X30 WRM | O | 4 | | |
| 063 | 140A19-4 | Circuito de interruptor completo | | 1 | | |
| C10 | 810D46-0 | Etiqueta del interruptor | | 1 | | |
| 064 | 183J58-5 | Juego de mango | | 1 | * | |
| C10 | 263005-3 | Pasador de goma 6 | | 4 | * | |
| C20 | 347379-1 | Portallave | | 1 | * | |
| 064 | | INC. 70 | | | * | |
| 064-1 | 183R46-0 | HANDLE SET(AZUL) | O | 1 | | |
| | | | | | | |

| | | | | | | |
|-------|-----------|--|---|----|---|--|
| C10 | 263005-3 | Pasador de goma 6 | | 4 | | |
| C20 | 347379-1 | Portallave | | 1 | | |
| 064-1 | | INC. 70 | | | | |
| 065 | 620839-1 | Circuito led | | 1 | | |
| 066 | 266326-2 | Tornillo enroscante con cabezal fijador 4X18 | | 12 | * | |
| 066-1 | 265A48-7 | Tornillo de enrosque 4X18 | O | 12 | | |
| 067 | 458432-9 | Palanca de cambio f/r | | 1 | | |
| 068 | 650710-5 | Interruptor C3JW-4B | | 1 | | |
| 069 | 620838-3 | Controlador | | 1 | * | |
| 069-1 | 620P55-1 | CONTROLLER | < | 1 | * | |
| 069-2 | 620R36-7 | CONTROLLER | S | 1 | | |
| 070 | 183J58-5 | Juego de mango | | 1 | * | |
| C10 | 263005-3 | Pasador de goma 6 | | 4 | * | |
| C20 | 347379-1 | Portallave | | 1 | * | |
| 070 | | INC. 64 | | | * | |
| 070-1 | 183R46-0 | HANDLE SET(AZUL) | O | 1 | | |
| C10 | 263005-3 | Pasador de goma 6 | | 4 | | |
| C20 | 347379-1 | Portallave | | 1 | | |
| 070-1 | | INC. 64 | | | | |
| 071 | 644809-6 | Terminal | | 2 | | |
| 072 | 854K90-9 | Etiqueta de numero de serie DD A460 | | 1 | | |
| 073 | 854K86-0 | Placa de características DDA460 | | 1 | | |
| 074 | 212189-4 | Caja para aguja 5810 | | 3 | | |
| 075 | 267010-2 | Arandela plana 5 | | 1 | | |
| 076 | 620K74-7 | Controlador B | S | 1 | * | |
| 076-1 | 620R29-4 | CONTROLLER B | S | 1 | | |
| 077 | 652119-7 | Tornillo de cabeza aplanada M2X 6 | S | 6 | | |
| 078 | 638A31-1 | Unidad principal | S | 1 | | |
| A01 | 126802-7 | Montaje de empuñadura | | 1 | * | |
| A01-1 | 122A18-8 | Montaje de empuñadura | O | 1 | | |
| A02 | 763251-3 | Llave de mandril S13 | | 1 | | |
| A03 | 783204-6 | Llave hexagonal 6 | | 1 | | |
| A05 | 821737-4 | Maletín de plástico | | 1 | | |
| C10 | 162271-8 | Pestillo | | 2 | | |
| A06 | ***DC18RD | DC18RD TWO PORT FAST CHARGER | | 1 | * | |
| A06 | | COMPO-PARTS | | | * | |
| A06-1 | ***DC18RD | DC18RD TWO PORT FAST CHARGER | O | 1 | * | |
| A06-1 | | COMPO-PARTS | | | * | |
| A06-2 | ***DC18RD | DC18RD TWO PORT FAST CHARGER | O | 1 | | |
| A06-2 | | COMPO-PARTS | | | | |
| A07 | 197283-2 | Conjunto de la batería BL1850B | | 2 | | |

Por favor declare No. de Partes cuando ordene.

Fecha de Impresión 21/01/2025