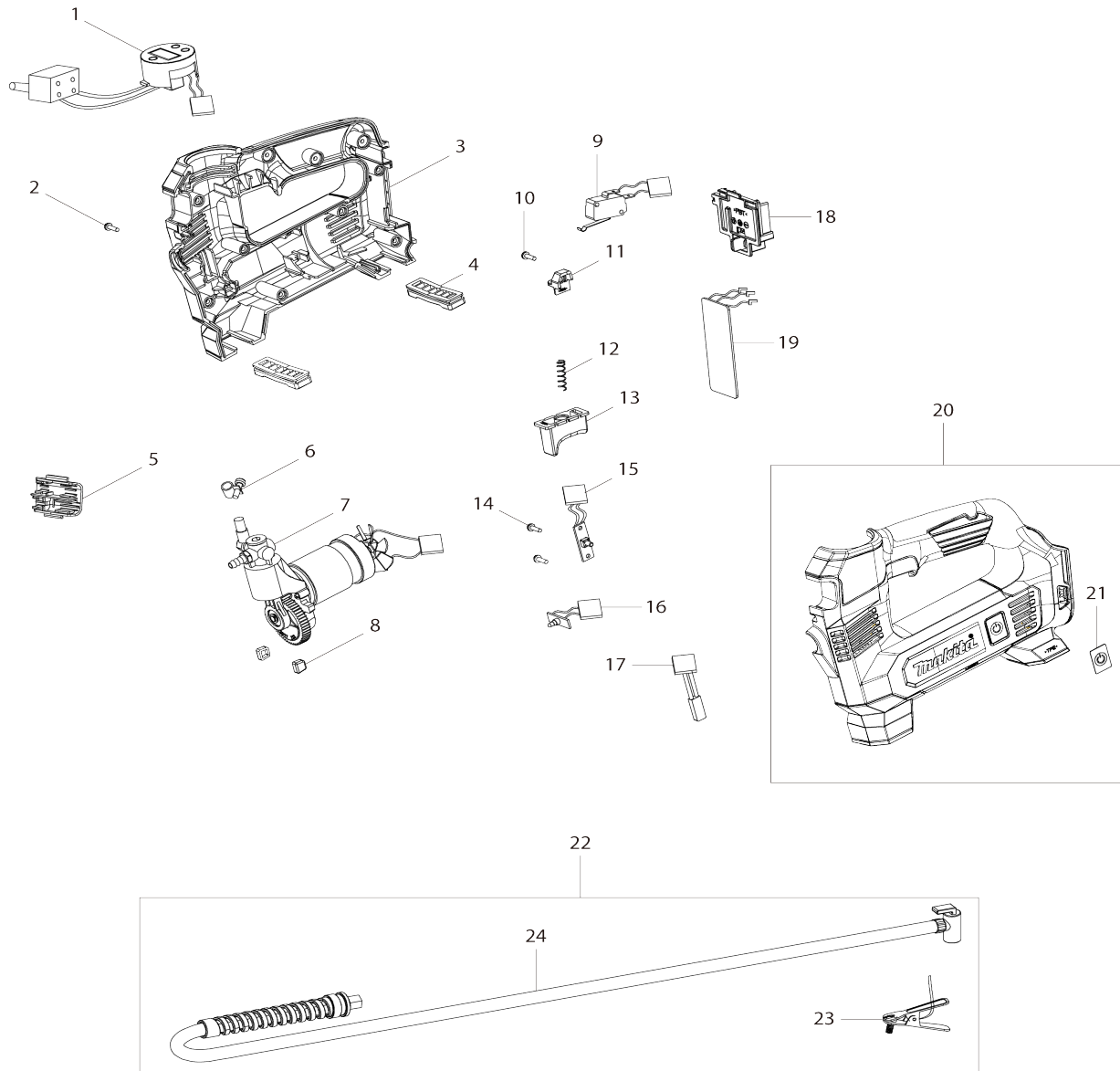


Model No.DMP180 CORDLESS INFLATOR



Model No.DMP180 CORDLESS INFLATOR

| Artículo No. | No. de Partes | Descripción | Intercambialidad | Cantidad | Nuevo/Viejo | Nota 1 | Nota 2 |
|--------------|---------------|-----------------------------------|------------------|----------|-------------|--------|--------|
| 001 | TE00000421 | PANTALLA DIGITAL P/DMP180 | | 1 | * | | |
| 001-1 | TE00000630 | DIGITAL DISPLAY | O | 1 | | | |
| 002 | TE00000204 | TORNILLO 3X14 P/DMP180 | | 10 | | | |
| 003 | TE00000420 | CARCASA P/DMP180 | | 1 | * | | |
| 003 | | INC. 20,21 | | | * | | |
| 003-1 | TE00000444 | CARCASA P/DMP180 | O | 1 | * | | |
| 003-1 | | INC. 20,21 | | | * | | |
| 003-2 | TE00000483 | JUEGO DE CARCASAS | O | 1 | | | |
| 003-2 | | INC. 20,21 | | | | | |
| 004 | TE00000338 | MAT FOR MODEL MP100D | | 2 | | | |
| 005 | TE00000422 | SOPORTE FIJO P/DMP180 | | 1 | | | |
| 006 | TE00000352 | ABRAZADERA P/DMP180 | | 1 | | | |
| 007 | TE00000425 | MOTOR P/DMP180 | | 1 | * | | |
| 007-1 | TE00000641 | MOTOR ASSEMBLY | < | 1 | | | |
| 007-1 | | INC. 22 | | | | | |
| 008 | TE00000339 | CILINDRO DE GOMA P/DMP180 | | 2 | | | |
| 009 | TE00000329 | INTERRUPTOR P/DMP180 | | 1 | * | | |
| 009-1 | TE00000485 | SWITCH | O | 1 | * | | |
| 009-2 | TE00000329 | INTERRUPTOR P/DMP180 | X | 1 | | | |
| 010 | TE00000327 | TORNILLO 3X10 P/DMP180 | | 1 | | | |
| 011 | TE00000328 | GATILLO DE RESORTE P/DMP180 | | 1 | | | |
| 012 | TE00000330 | RESORTE P/DMP180 | | 1 | | | |
| 013 | TE00000331 | GATILLO DEL INTERRUPTOR P/DMP180 | | 1 | * | | |
| 013-1 | TE00000485 | SWITCH | O | 1 | | | |
| 014 | TE00000327 | TORNILLO 3X10 P/DMP180 | | 2 | | | |
| 015 | TE00000341 | BOTON DE ENCENDIDO P/DMP180 | | 1 | * | | |
| 015-1 | TE00000835 | POWER ON/OFF | O | 1 | | | |
| 016 | TE00000342 | LED PCB P/DMP180 | | 1 | * | | |
| 016-1 | TE00000836 | LED PCB | O | 1 | | | |
| 017 | TE00000343 | PROTECTOR DE LA TERMINAL P/DMP180 | | 1 | | | |
| 018 | TE00000424 | TERMINAL DE LA BATERIA P/DMP180 | | 1 | | | |
| 019 | TE00000423 | PCB P/DMP180 | | 1 | | | |
| 020 | TE00000420 | CARCASA P/DMP180 | | 1 | * | | |
| 020 | | INC. 3,21 | | | * | | |
| 020-1 | TE00000444 | CARCASA P/DMP180 | O | 1 | * | | |
| 020-1 | | INC. 3,21 | | | * | | |
| 020-2 | TE00000483 | JUEGO DE CARCASAS | O | 1 | | | |
| 020-2 | | INC. 3,21 | | | | | |
| 021 | TE00000426 | SWITCH LABEL | | 1 | | | |
| 022 | TE00000345 | CONJUNTO DE TUBO DE AIRE P/DMP180 | | 1 | | | |
| 022 | | INC. 23 | | | | | |
| 022A_ | TE00000638 | AIR PIPE ASSEMBLY(8MM) | | 1 | | | |
| 022A_ | | INC. 23 | | | | | |
| 023 | TE00000346 | ADAPTADOR BRIT P/DMP180 | | 1 | * | | |

| | | | | | | | |
|-------|------------|---------------------------------|---|---|---|--|--|
| 023-1 | TE00000597 | BRITISH ADAPTER | < | 1 | | | |
| A01 | TE00000333 | ADAPTADOR DE ANILLO DE NATACION | | 1 | | | |
| A02 | TE00000335 | ADAPTADOR DE PELOTAS | | 1 | * | | |
| A02-1 | TE00000592 | BALL ADAPTER | < | 1 | | | |
| A03 | TE00000334 | ADAPTADOR FRANCES | | 1 | * | | |
| A03-1 | TE00000594 | FRENCH ADAPTER | < | 1 | | | |

Por favor declare No. de Partes cuando ordene.

Fecha de Impresión 21/01/2025