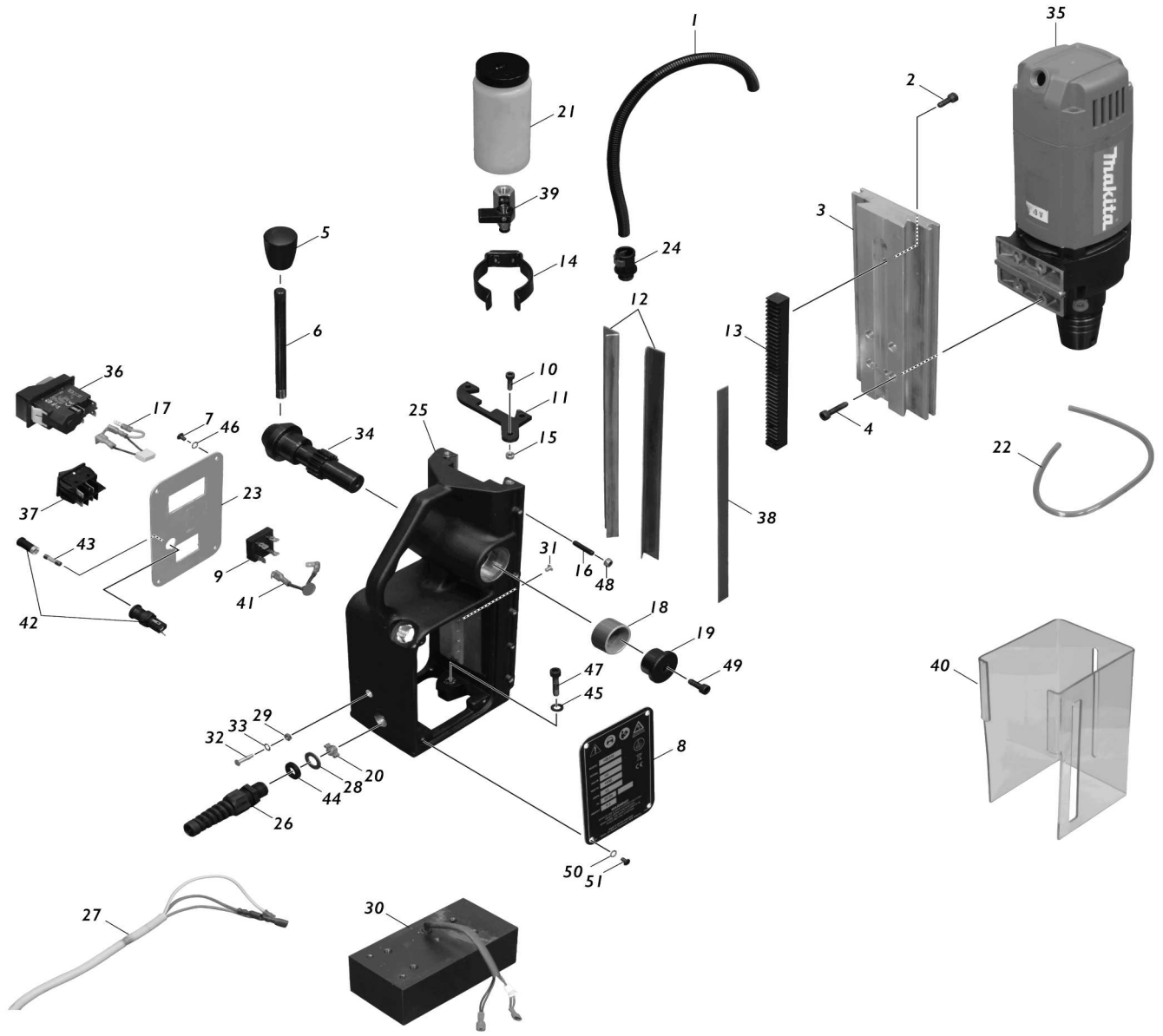
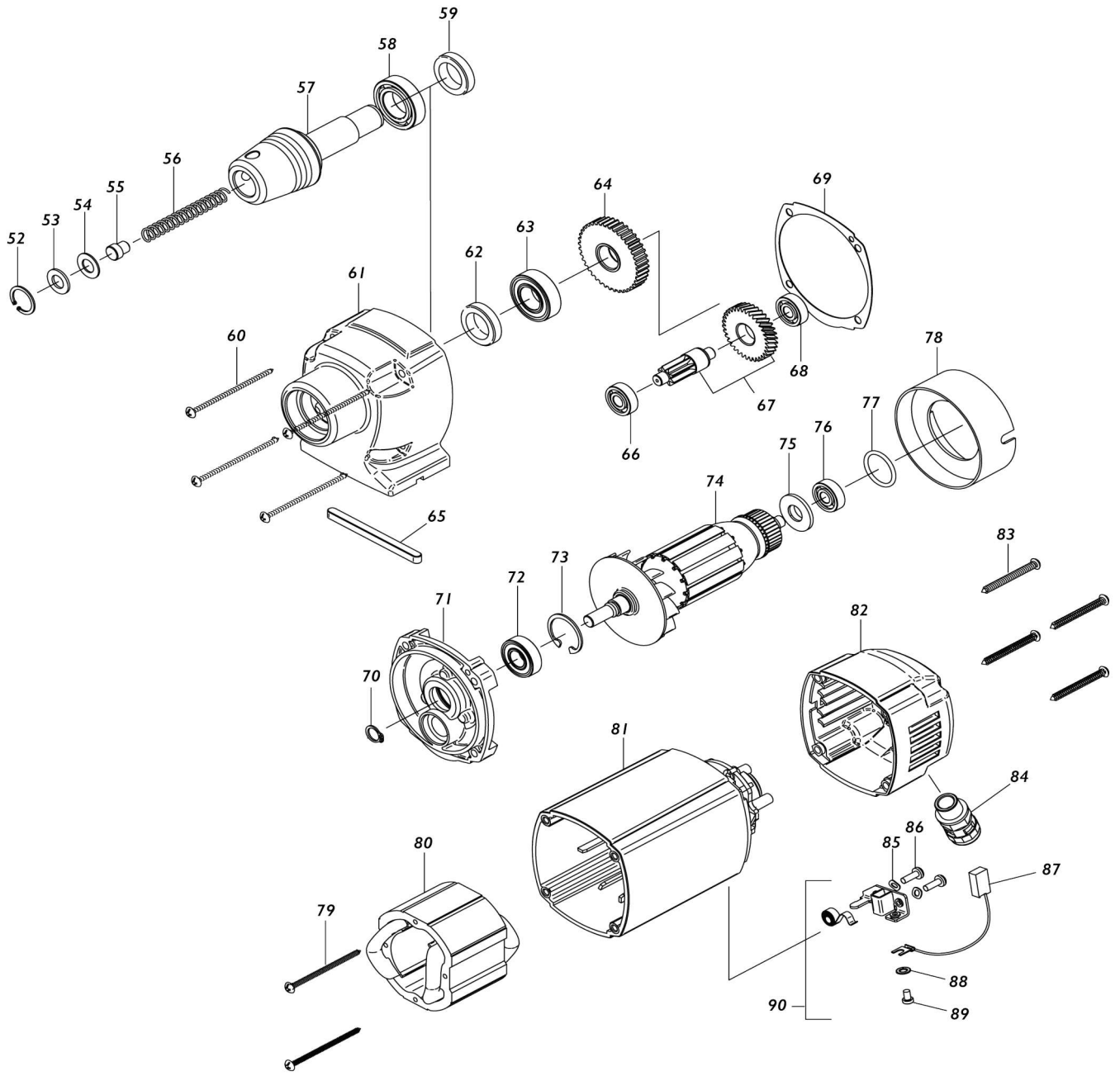


Model No.HB350 MAGNETIC DRILL



Model No.HB350 MAGNETIC DRILL



Model No.HB350 MAGNETIC DRILL

Artículo No.	No. de Partes	Descripción	Intercambilidad	Cantidad	Nuevo/Viejo	Nota 1	Nota 2
001	UD000M0443	CONDUIT LARGE 12MM		1			
002	UDSC616CAP	HEX SOCKET HEAD BOLT M6X16		2			
003	UD000M1000	SLIDE		1			
004	UDSC625CAP	HEX SOCKET HEAD BOLT M6X25		4			
005	UD000M0841	HANDLE KNOB		1			
006	UD000BD043	HANDLE(10X130)		1			
007	UD0SC46BUT	H.S. BUTTON HEAD BOLT M4X6		4			
008	UD000M1002	WARNING PLATE HB350 CE MJ		1	*		
008-1	UD000M1047	WARNING PLATE	X	1			
009	UD000M0401	BRIDGE RECTIFIER		1			
010	UDSC516CAP	HEX SOCKET HEAD BOLT M5X16		3			
011	UD00M0811A	BRACKET		1			
012	UD000M0101	RAIL		2			
013	UD000M0831	RACK		1			
014	UD0010076C	OIL CUP RETAINING RING		1			
015	UD0010085B	M5 NYLOC NUT PARA HB500		1			
016	UD0010085A	M5X25 GRUB SCREW PARA HB500		5			
017	UD0RD43118	CAPACITOR		1	*		
017-1	UD000M1100	CAPACITOR ASSEMBLY	<	1			
018	UD000M0081	PINION BUSH		2			
019	UD000M0072	PINION END CAP (DEEP)		1			
020	UD0RD47179	O CLIP		1			
021	UD0030046A	SMALL OILCUP C/W TAP (BLACK)		1			
022	UD000BD029	6MM OIL PIPE		1			
023	UD000M1001	PANEL PLATE		1			
024	UD00040026	M16 GLAND		1			
025	UDM0001BLK	MAIN HOUSING		1	*		
025-1	UDM0001BLK	MAIN HOUSING	O	1			
026	UD00010231	M16 STRAIN RELIEF GLAND		1			
027	UD00CLBL03	POWER SUPPLY CORD US		1	*		
027-1	UD00CABL03	POWER SUPPLY CORD US	X	1			
028	UD0RD47187	FLAT WASHER 10		1			
029	UDNUT-M4-B	HEX NUT M4		1			
030	UD000M1020	MAGNET BASE		1			
031	UD0SC46CSK	-COUNTERSUNK HEAD SCREW M4X6		5			
032	UDSC412CSK	-COUNTERSUNK HEAD SCREW M4X12		1	*		
032-1	UD412CSK-B	-COUNTERSUNK HEAD SCREW M4X12	X	1			
033	UD0SPWR-M4	TOOTHED LOCK WASHER 4		1			
034	UD000M0041	PINION		1			
035	UD00EIB522	DRILL UNIT 110V		1			
036	UD00NCP001	SWITCH(110V)		1			
037	UD00NCP006	SWITCH		1			
038	UD000M0441	PLATE		1			
039	UD00050015	COCK		1			
040	UD00VISO18	GUARD		1			

041	UDW18XC522	VARISTOR(V150LA10A)		1	*		
041-1	UD000M1101	VARISTOR ASSEMBLY(110V)	<	1			
042	UDW18XC511	FUSE HOLDER		1			
043	UDW18XC512	FUSE		1			
044	UD00UOD009	RUBBER WASHER 10		1			
045	UD0SPWR-M5	FLAT WASHER 6		3	*		
045-1	UD0SPWR-M6	FLAT WASHER 6	X	3			
046	UD0SPWR-M4	TOOTHED LOCK WASHER 4		4			
047	UDSC625CAP	HEX SOCKET HEAD BOLT M6X25		3			
048	UD0010085B	M5 NYLOC NUT PARA HB500		5			
049	UDSC616CAP	HEX SOCKET HEAD BOLT M6X16		1			
050	UD0SPWR-M4	TOOTHED LOCK WASHER 4		4			
051	UD0SC46BUT	H.S. BUTTON HEAD BOLT M4X6		4			
052	UD00EBD030	CIRCLIP		1			
053	UD00EBD029	RUBBER WASHER		1			
054	UD00EBD028	WASHER		1			
055	UD00EBD027	EJECTION PLUG		1			
056	UD00EBD026	COMPRESSION SPRING		1			
057	UD00EIB528	SPINDLE		1			
058	UD00EBD025	BALL BEARING 6904 2RS		1			
059	UD00EBD020	OIL SEAL		1	*		
059-1	UD00EIB184	OIL SEAL	O	1			
060	UD00EBD022	TAPPING SCREW 4.8X60		4			
061	UD00EBD021	GEAR CASE		1			
062	UD00EBD020	OIL SEAL		1	*		
062-1	UD00EIB184	OIL SEAL	O	1			
063	UD00UDC004	BALL BEARING 6003 2RS		1			
064	UD00EBD019	SPINDLE GEAR		1			
065	UD000M1019	KEY		1			
066	UD00UDC022	GROOVED BALL BEARING 608ZZ		1			
067	UD00EBD018	INTERNAL SHAFT ASSY		1			
068	UD00UDC022	GROOVED BALL BEARING 608ZZ		1			
069	UD00EBD017	GASKET		1			
070	UD00EBD016	CIRCLIP		1			
071	UD00EBD015	GEAR CASE COVER		1			
072	UD00UDC023	GROOVED BALL BEARING 6001Z Z		1			
073	UD00EBD014	CIRCLIP		1			
074	UDEBD013-A	ARMATURE 110V		1			
075	UD00EBD012	INSULATION WASHER		1			
076	UD00UDC022	GROOVED BALL BEARING 608ZZ		1			
077	UD00EBD011	O-RING		1			
078	UD00EBD010	BAFFLE PLATE		1			
079	UD00EBD009	TAPPING SCREW 3.9X60		2			
080	UDEBD008-A	FIELD 110V		1			
081	UD00EIB526	MOTOR HOUSING		1			
082	UD00EIB527	REAR COVER		1			
083	UD00EBD005	TAPPING SCREW 4.8X45		4			
084	UD00040025	PLUG B		1			
085	UD00EBD004	WAVE WASHER 4		2			
086	UD00EBD003	PAN HEAD SCREW M4X12		2			
087	UD00EBD002	CARBON BRUSH		2			

088	UD00EBD031	TOOTHED LOCK WASHER 4		2		
089	UD00EBD032	ROUND HEAD SCREW		2		
090	UD00EBD001	BRUSH HOLDER ASSY		1		
091	UD00PL1889	MAKITA LOGO LABEL		1		
A01	UD00CASE50	CARRY CASE		1		
A02	UD000KEY01	KEY 2.5MM		1		
A03	UD000KEY03	KEY 4MM		1		
A04	UD000KEY04	KEY 5MM		1		
A05	UD0STRAP01	STRAP		1		

Por favor declare No. de Partes cuando ordene.

Fecha de Impresión 21/01/2025