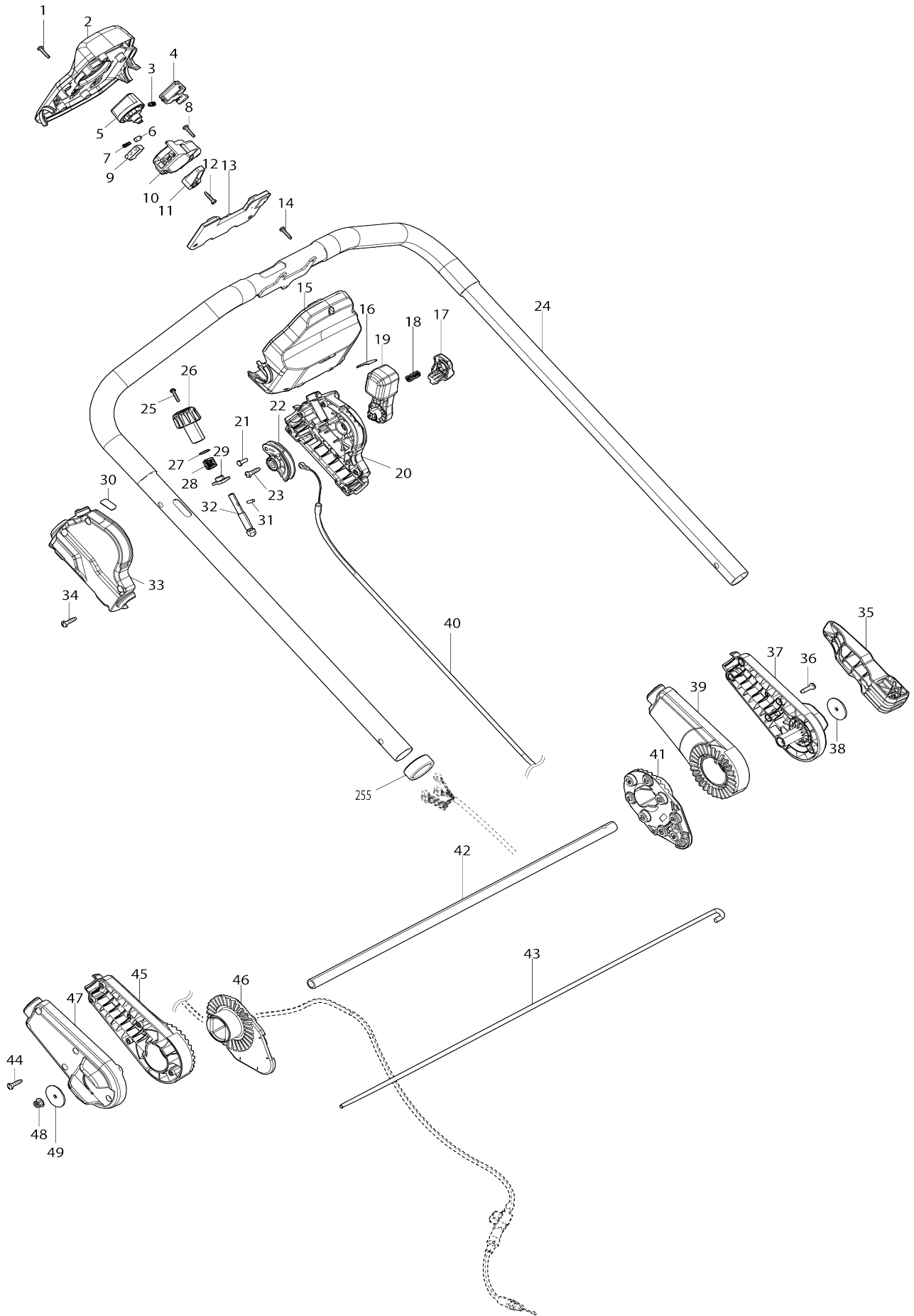
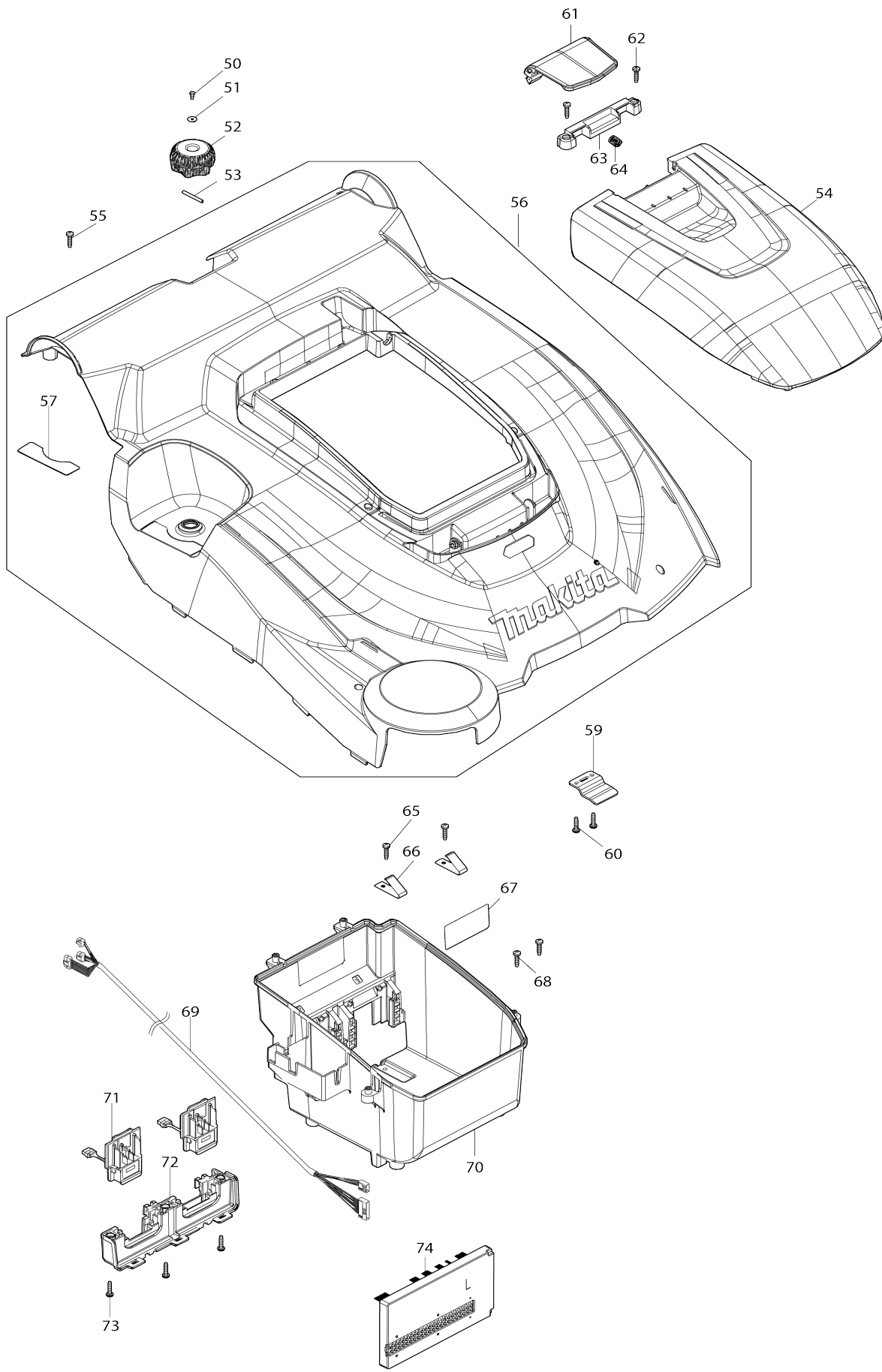


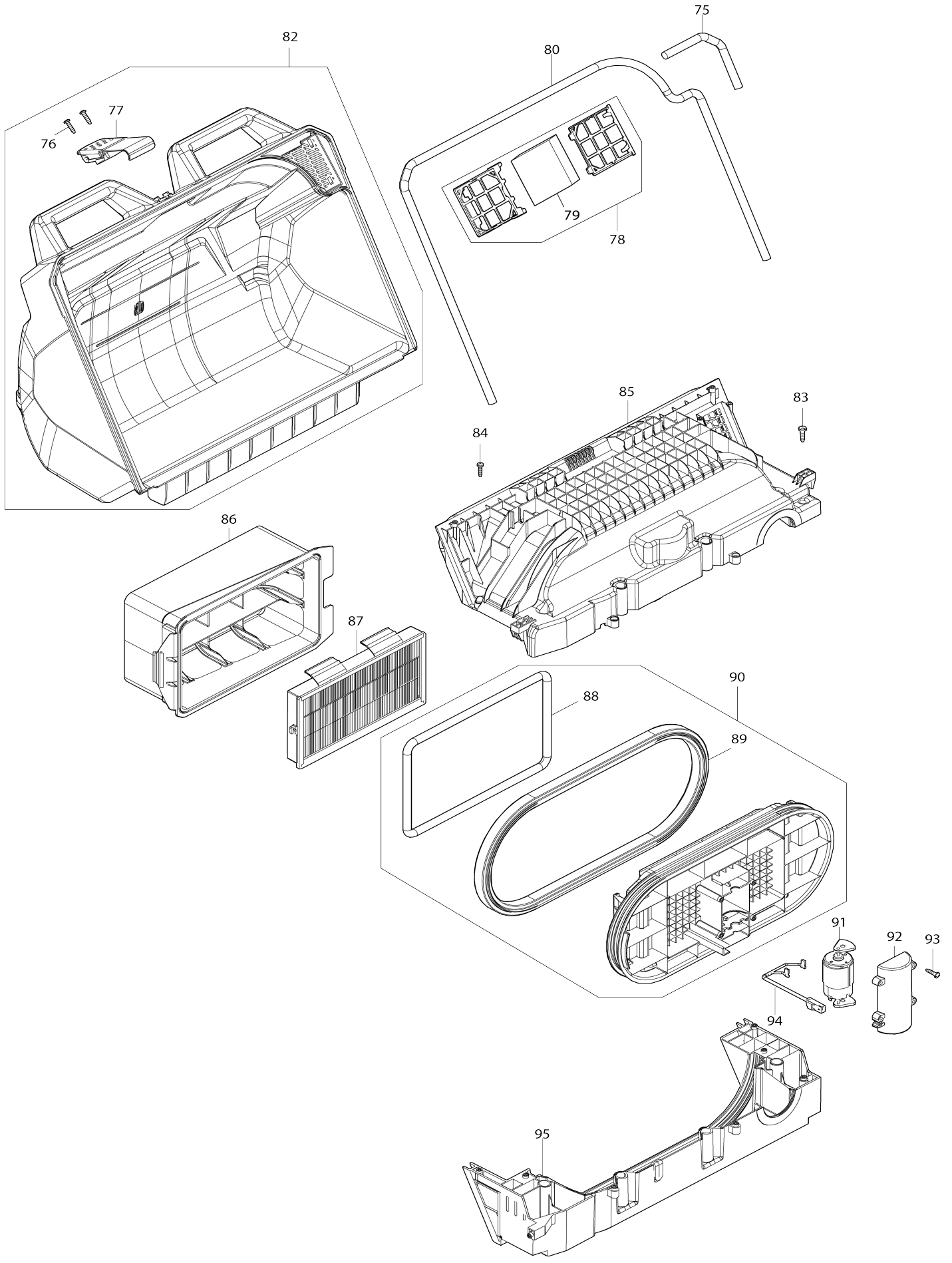
Model No.VS001G CORDLESS VACUUM SWEEPER



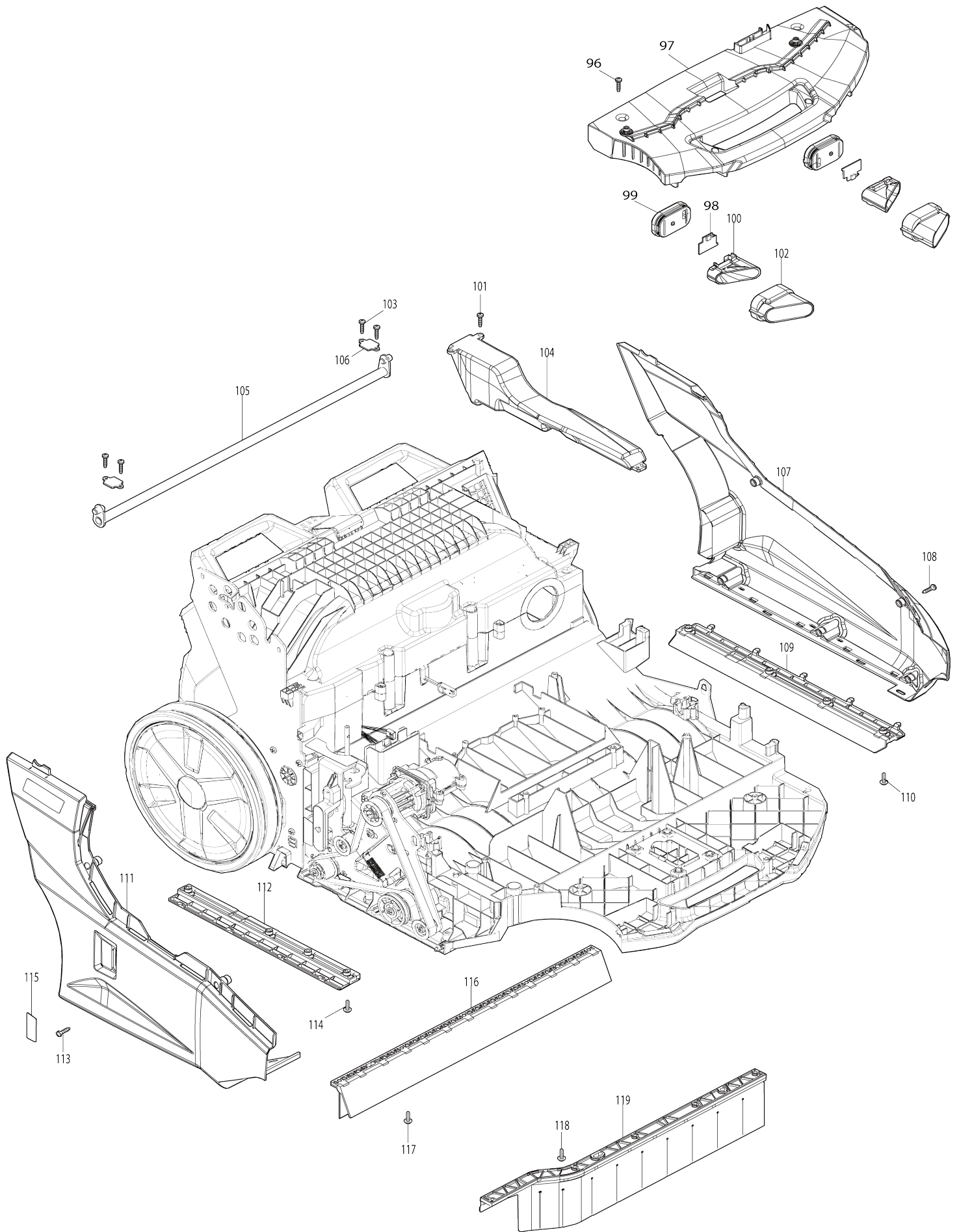
Model No.VS001G CORDLESS VACUUM SWEEPER



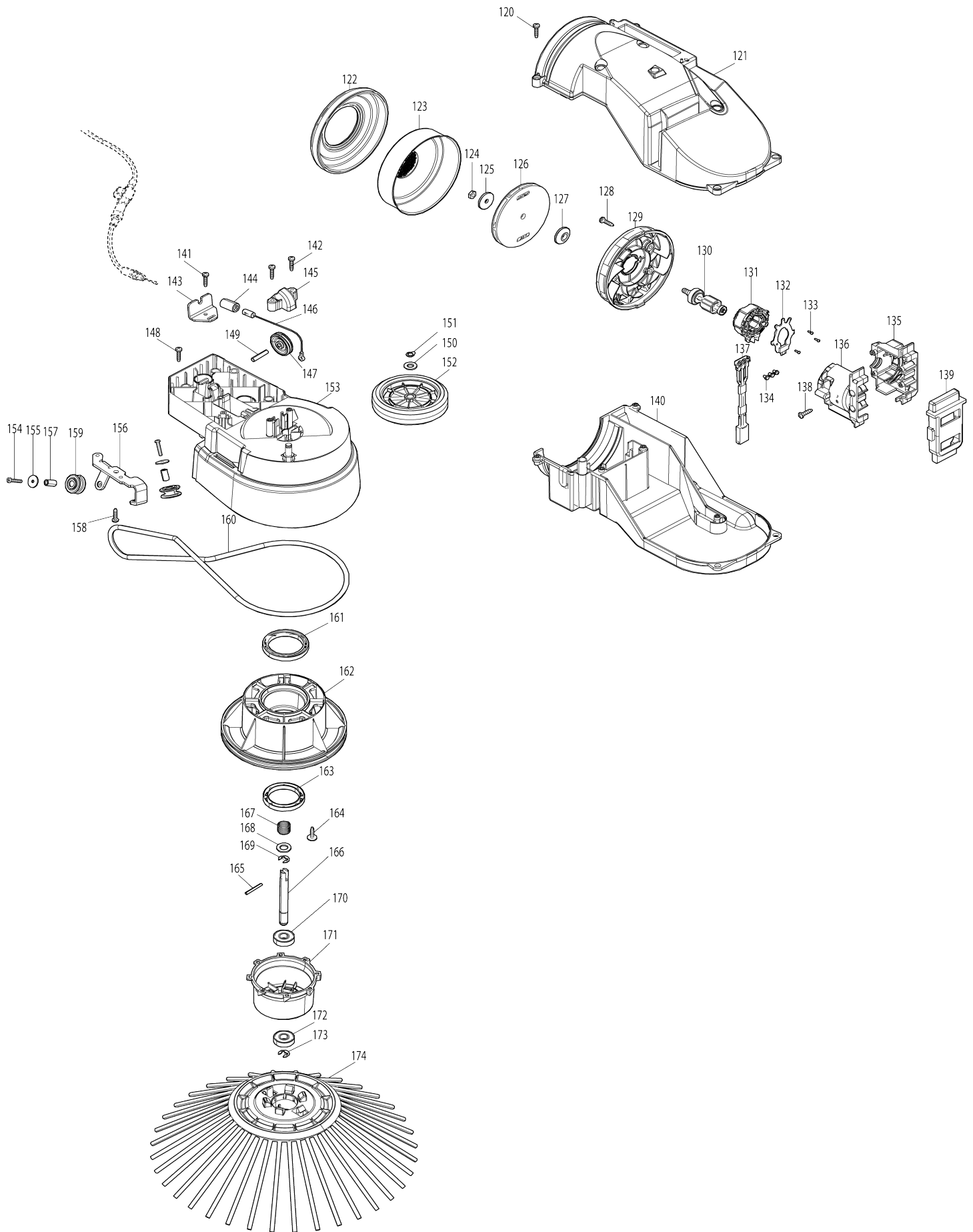
Model No.VS001G CORDLESS VACUUM SWEEPER



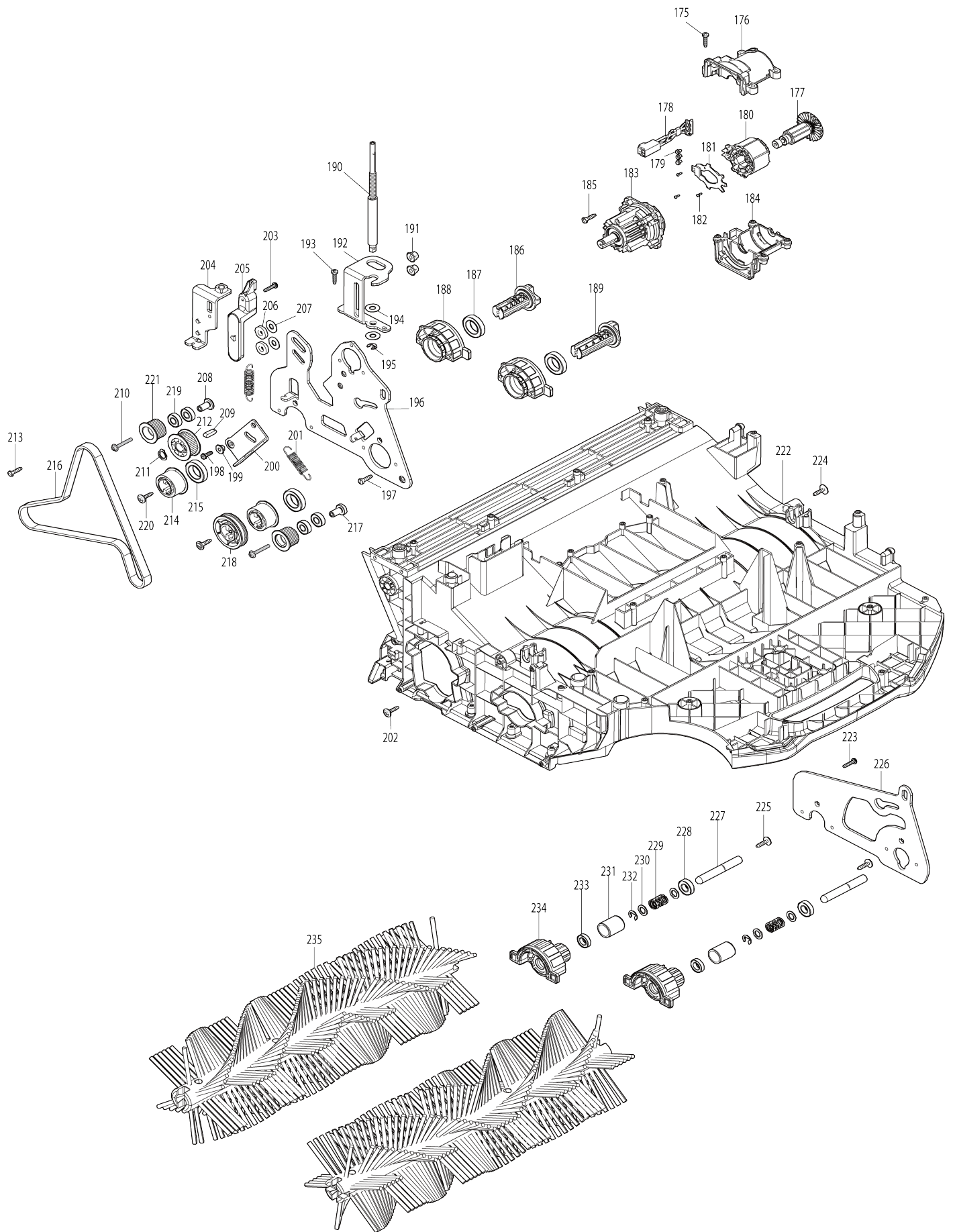
Model No.VS001G CORDLESS VACUUM SWEEPER



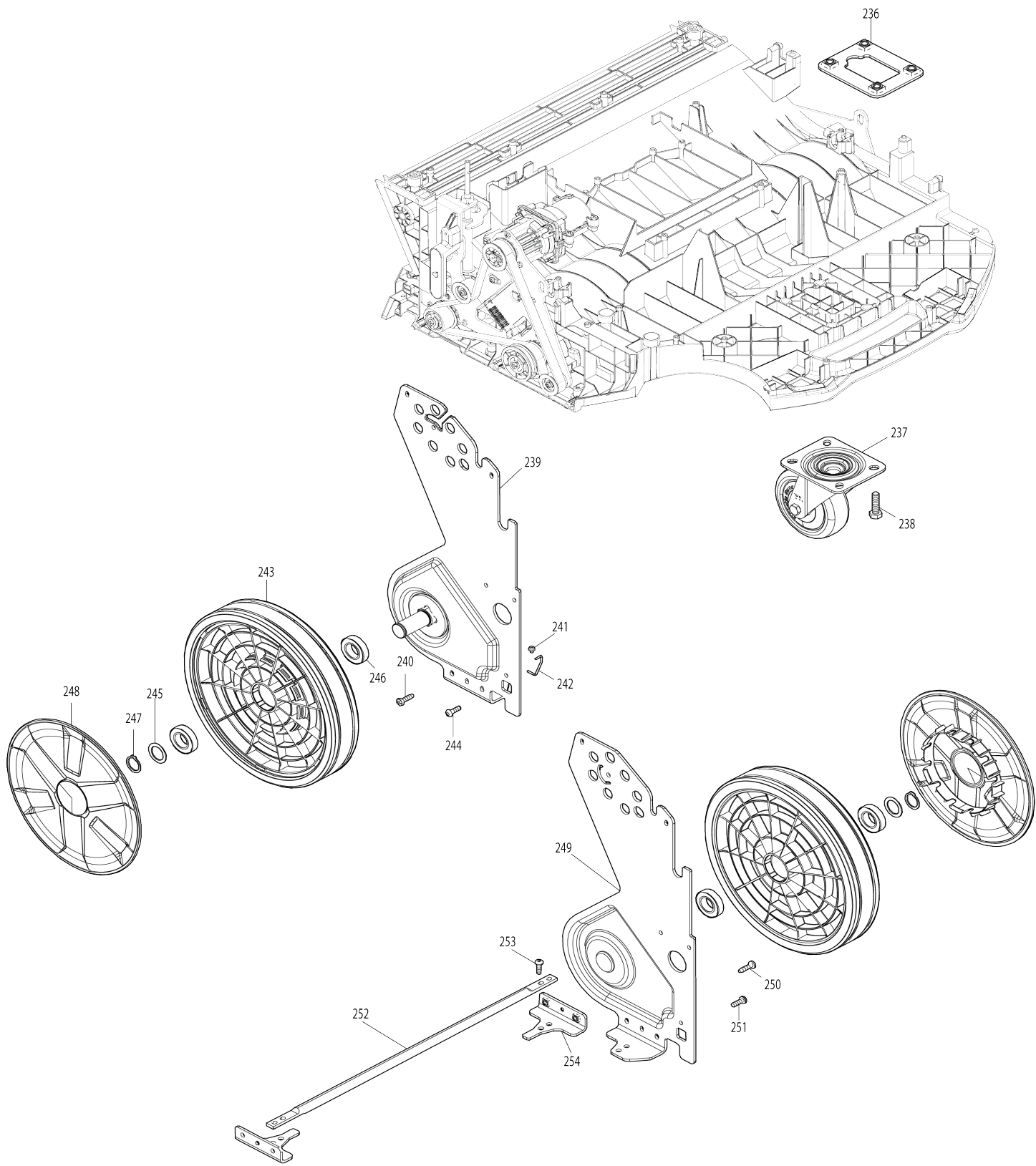
Model No.VS001G CORDLESS VACUUM SWEEPER



Model No.VS001G CORDLESS VACUUM SWEEPER



Model No.VS001G CORDLESS VACUUM SWEEPER



Model No.VS001G CORDLESS VACUUM SWEEPER

Artículo No.	No. de Partes	Descripción	Intercambilidad	Cantidad	Nuevo/Viejo	Nota 1	Nota 2
--------------	---------------	-------------	-----------------	----------	-------------	--------	--------

Por favor declare No. de Partes cuando ordene.

Fecha de Impresión 22/01/2025