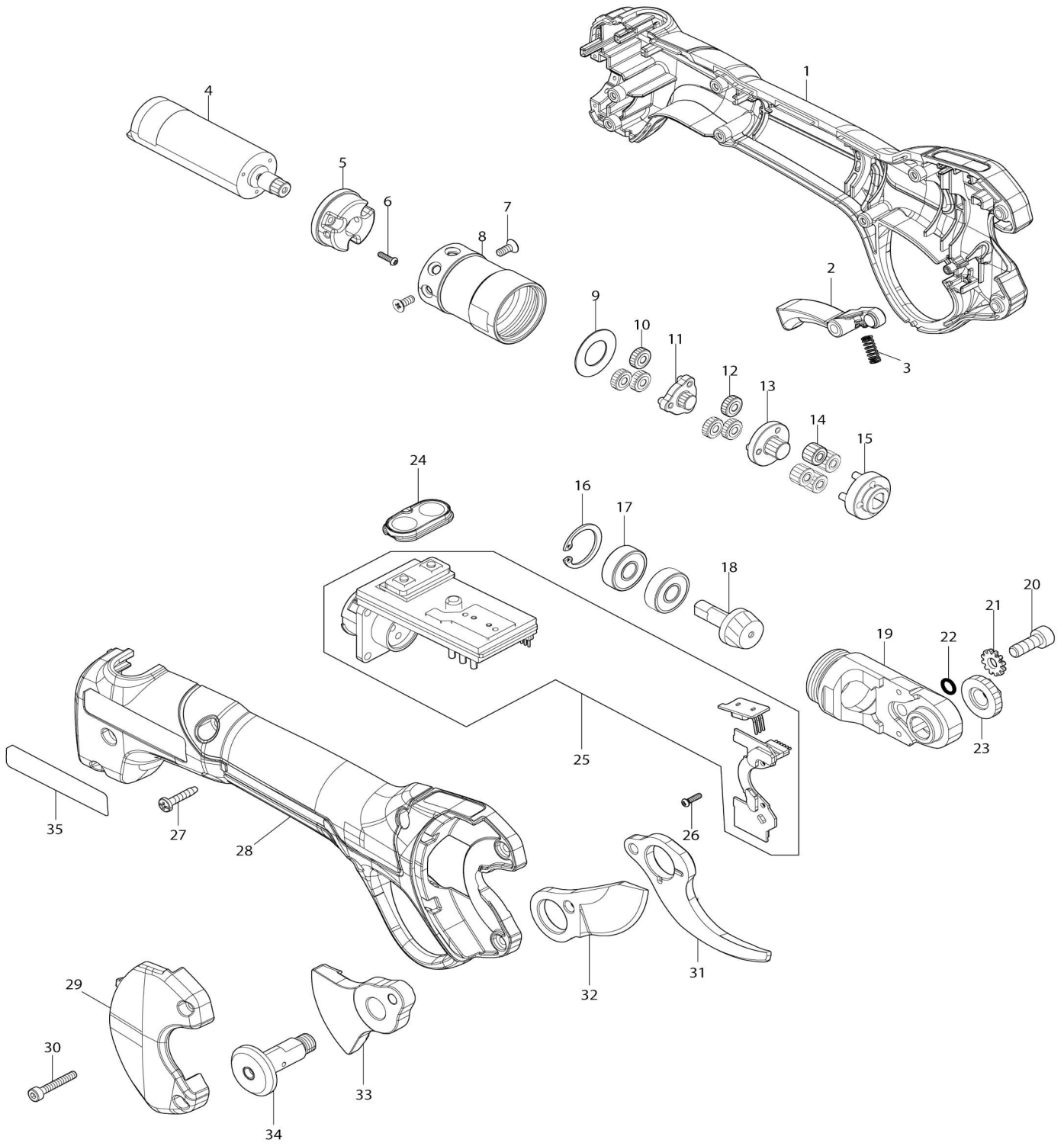


# Model No.DUP180 BATTERY POWERED PRUNING SHEARS



Model No.DUP180 BATTERY POWERED PRUNING SHEARS

| Artículo No. | No. de Partes | Descripción                                  | Intercambialidad | Cantidad | Nuevo/Viejo | Nota 1 | Nota 2 |
|--------------|---------------|--|------------------|----------|-------------|--------|--------|
| 001          | 1830B4-2      | HOUSING SET                                  |                  | 1        |             |        |        |
| C10          | 8065E6-9      | INDICATION LABEL                             |                  | 1        |             |        |        |
| C20          | 8065E7-7      | INDICATION LABEL                             |                  | 1        |             |        |        |
| 001          |               | INC. 28                                      |                  |          |             |        |        |
| 002          | 141S58-5      | Gatillo completo                             |                  | 1        |             |        |        |
| 003          | 232765-8      | Resorte de compresión 3                      |                  | 1        |             |        |        |
| 004          | 629C35-6      | Motor cc                                     |                  | 1        |             |        |        |
| 005          | 312D98-2      | Soporte del motor                            |                  | 1        |             |        |        |
| 006          | 265D05-3      | Tornillo de cabeza aplanada M2X8             |                  | 3        |             |        |        |
| 007          | 912007-3      | Tornillo de cabeza avellanada M3X8           |                  | 2        |             |        |        |
| 008          | 227A61-3      | Engranaje interno 43                         |                  | 1        |             |        |        |
| 009          | 253084-9      | Arandela plana 12                            |                  | 1        |             |        |        |
| 010          | 227A62-1      | Engranaje recto 15                           |                  | 3        |             |        |        |
| 011          | 141S56-9      | Engranaje recto 11 B completo                |                  | 1        |             |        |        |
| 012          | 227A62-1      | Engranaje recto 15                           |                  | 3        |             |        |        |
| 013          | 141S57-7      | Engranaje recto completo 13                  |                  | 1        |             |        |        |
| 014          | 227A63-9      | Engranaje recto 14                           |                  | 4        |             |        |        |
| 015          | 162C31-6      | Apoyo completo                               |                  | 1        |             |        |        |
| 016          | 962059-4      | Anillo de retención (INT) R-19               |                  | 1        |             |        |        |
| 017          | 210017-7      | Rodamiento de balines 607DDW                 |                  | 2        |             |        |        |
| 018          | 227B18-0      | Engranaje cónico Zerol 9                     |                  | 1        |             |        |        |
| 019          | 327C47-0      | Carcasa del engranaje                        |                  | 1        |             |        |        |
| 020          | 265D07-9      | Perno de cabeza hueca hexagonal M5X14        |                  | 1        |             |        |        |
| 021          | 253578-4      | Placa de bloqueo                             |                  | 1        |             |        |        |
| 022          | 213021-5      | Anillo o-ring 5                              |                  | 1        |             |        |        |
| 023          | 252321-8      | Tuerca hexagonal M8                          |                  | 1        |             |        |        |
| 024          | 162C34-0      | Placa del interruptor completa               |                  | 1        |             |        |        |
| 025          | 620K68-2      | Controlador                                  |                  | 1        |             |        |        |
| 026          | 265D05-3      | Tornillo de cabeza aplanada M2X8             |                  | 2        |             |        |        |
| 027          | 266130-9      | Tornillo enroscante con cabezal fijador 3X16 |                  | 6        |             |        |        |
| 028          | 1830B4-2      | HOUSING SET                                  |                  | 1        |             |        |        |
| C10          | 8065E6-9      | INDICATION LABEL                             |                  | 1        |             |        |        |
| C20          | 8065E7-7      | INDICATION LABEL                             |                  | 1        |             |        |        |
| 028          |               | INC. 1                                       |                  |          |             |        |        |
| 029          | 141S62-4      | Cubierta del carcasa completa                |                  | 1        | *           |        |        |
| C10          | 8065E8-5      | CAUTION LABEL                                |                  | 1        | *           |        |        |
| 029-1        | 1410T0-2      | HOUSING COVER COMPLETE                       | <                | 1        |             |        |        |
| C10          | 8065E8-5      | CAUTION LABEL                                |                  | 1        |             |        |        |
| 030          | 265633-0      | Perno de cabeza hueca hexagonal M3X20        |                  | 2        |             |        |        |
| 031          | 1913P3-6      | Conjunto de cuchillas de cizalla L           |                  | 1        |             |        |        |
| 032          | 1913P4-4      | Conjunto de cuchillas de cizalla U           |                  | 1        |             |        |        |
| 033          | 141S59-3      | Sujetador de la cuchilla completo            |                  | 1        |             |        |        |
|              |               |  |                  |          |             |        |        |

|     |          |                                    |  |   |  |  |
|-----|----------|------------------------------------|--|---|--|--|
| 034 | 162C35-8 | Tornillo con rebaje M8 completo    |  | 1 |  |  |
| 035 | 8142L8-2 | DUP180 NAME PLATE                  |  | 1 |  |  |
| A01 | 782212-4 | Llave fija 13                      |  | 1 |  |  |
| A02 | 783202-0 | Llave hexagonal 4                  |  | 1 |  |  |
| A03 | 783208-8 | Llave hexagonal 2.5                |  | 1 |  |  |
| A04 | 162C23-5 | Funda                              |  | 1 |  |  |
| A05 | 1912E4-1 | Conjunto de piedra para afilar     |  | 1 |  |  |
| A06 | 182470-6 | Recipiente para aceite             |  | 1 |  |  |
| A07 | 630E23-0 | Adaptador de batería               |  | 1 |  |  |
| F02 | 1913P3-6 | Conjunto de cuchillas de cizalla L |  | 1 |  |  |
| F03 | 1913P4-4 | Conjunto de cuchillas de cizalla U |  | 1 |  |  |

Por favor declare No. de Partes cuando ordene.

Fecha de Impresión 21/01/2025